



## EXTENSION – VERMONT MISSION TABLE ASSEMBLY

### Base Part Location and Verification

Location	Quantity	Description	QC Check
Base Box	2	Leg Assemblies	

### Hardware List and Verification

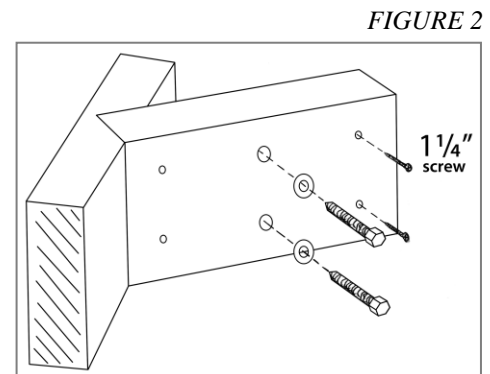
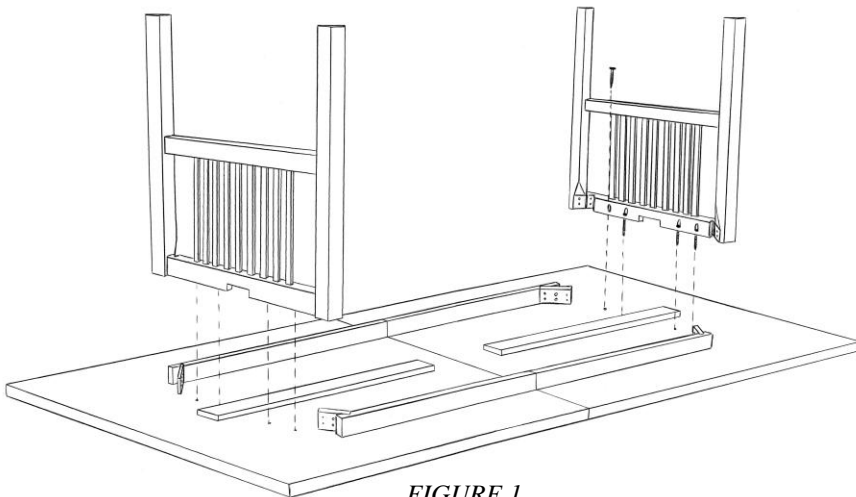
Quantity	Description	QC Check
8	2 1/2" Lag Bolts	
8	Flat Washers	
8	1 1/4" Screws	
8	1 5/8" Screws	
4 (threaded into Bottom Feet)	Levelers	

QUALITY CONTROL CHECK PERFORMED BY: \_\_\_\_\_

**ATTENTION**  **Do Not Assemble with Power Tools**

### ASSEMBLY INSTRUCTIONS:

- 1) TURN THE TABLE UPSIDE DOWN AND PLACE ON A SOFT, NON-ABRASIVE SURFACE.
- 2) PLACE THE NOTCHES IN THE LEG ASSEMBLIES AGAINST THE CORNER BLOCKS THAT PROTRUDE FROM THE SKIRT BOARDS ATTACHED TO THE TABLE (SEE *FIGURE 1*).
- 3) ATTACH THE CORNER BLOCKS TO THE NOTCHES IN THE LEG ASSEMBLIES WITH **8 - 1 1/4" SCREWS** (SEE *FIGURE 2*). **IMPORTANT: MAKE CERTAIN TO USE THE SHORTER 1 1/4" SCREWS TO ATTACH THE CORNER BLOCKS TO THE LEG ASSEMBLIES. USING THE LONGER 1 5/8" SCREWS MAY SPLIT THE WOOD.**
- 4) **LOOSELY** ATTACH THE LEG ASSEMBLIES TO THE CORNER BLOCKS USING THE **8 - 2 1/2" LAG BOLTS** (SEE *FIGURE 2*). TIGHTEN THE LAG BOLTS UNTIL THE LEG ASSEMBLIES ARE PULLED EVENLY INTO THE SIDE SKIRTS.
- 5) ATTACH THE LEG ASSEMBLIES TO THE BOTTOM OF THE TABLE TOP THROUGH THE POCKET HOLES USING THE **8 - 1 5/8" SCREWS** (SEE *FIGURE 1*).
- 6) CHECK ALL SCREWS AND BOLTS TO MAKE SURE THAT THEY ARE TIGHT AND SECURE.
- 7) CAREFULLY TURN TABLE UPRIGHT. ADJUST LEVELERS AS NEEDED.



### EXTENSION LEAF/LEAVES SELF STORE NOTES:

EXTENSION TABLES OF THIS TYPE ARE NOT AVAILABLE WITH A SELF STORING LEAF/LEAVES OPTION.