



EXTENSION – THREE-LEG TRESTLE TABLE ASSEMBLY

Base Part Location and Verification

Location	Quantity	Description	QC Check
Base Box	2	5" Wide Legs	
Base Box	4	3 1/4" Wide Legs	
Base Box	2	Top Straps	
Base Box	2	Bottom Feet	
Table Box	1	Stretcher	

Hardware List and Verification

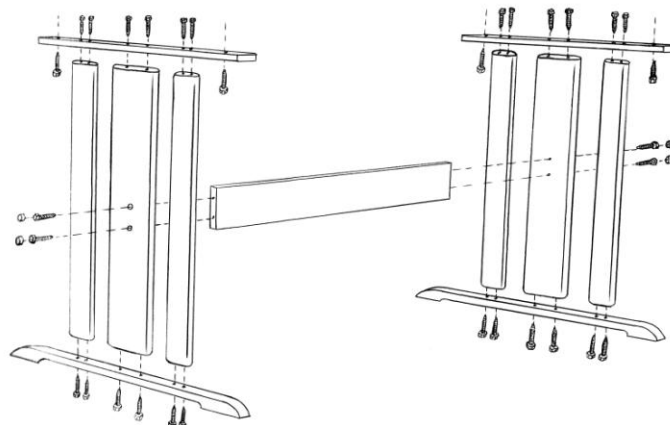
Quantity	Description	QC Check
32	2" Lag Bolts	
32	Flat Washers	
4 (threaded into Bottom Feet)	Levelers	
5 (1 Spare)	3/4" Button Plugs	

QUALITY CONTROL CHECK PERFORMED BY: _____

ATTENTION  **Do Not Assemble with Power Tools**

ASSEMBLY INSTRUCTIONS:

- 1) LOOSELY** ATTACH ONE END OF EACH LEG TO THE TOP STRAPS, 3 LEGS PER SIDE (ONE 5" WIDE LEG IN THE CENTER AND A 3 1/4" LEG ON EITHER SIDE) USING **12 - 2" LAG BOLTS**. IT DOESN'T MATTER WHICH END OF THE LEG IS ATTACHED.
- 2) LOOSELY** ATTACH THE BOTTOM FEET IN THE SAME MANNER AS STEP 1.
- 3) USE THE OTHER 4 - 2" LAG BOLTS** TO **LOOSELY** ATTACH THE STRETCHER TO BOTH 5" WIDE CENTER LEGS. BE CERTAIN THAT THE COUNTERSINK (WIDER END OF THE HOLE) SIDE OF THE LEG IS FACING OUTWARD. THIS COMPLETES THE BASE ASSEMBLY.
- 4) TURN** THE TABLE UPSIDE DOWN AND PLACE ON A SOFT, NON-ABRASIVE SURFACE.
- 5) ALIGN** THE OUTERMOST HOLES IN THE TOP STRAPS WITH THE HOLES IN THE EXTENSION SLIDES. ATTACH THE BASE USING THE OTHER **4 - 2" LAG BOLTS**.
- 6) FINISH** TIGHTENING ALL LAG BOLTS INTO PLACE.
- 7) PRESS** PLUGS INTO PLACE OVER THE STRETCHER LAG BOLTS. IF PLUGS CAN NOT BE SECURED BY HAND, USE A RUBBER Mallet OR FOLD A SOFT CLOTH OVER THE PLUG AND **GENTLY** TAP INTO PLACE WITH A HAMMER.
- 8) CAREFULLY** TURN TABLE UPRIGHT. ADJUST LEVELERS AS NEEDED.



EXTENSION LEAF/LEAVES SELF STORE NOTES:

ALL REGULAR EXTENSION SIZES OF THIS TABLE TYPE HAVE THE STANDARD ABILITY TO SELF STORE THE TABLE LEAF/LEAVES. LEAVES ARE STORED UNDER THE TABLE, BETWEEN THE TABLE SLIDES, AND SIT ON THE TOP STRAPS.