



EXTENSION – BOAT-SHAPED (V-BASE) TABLE ASSEMBLY

Base Part Location and Verification

Location	Quantity	Description	QC Check
Base Box	2	"V" Legs	
Base Box	4	Oval Legs	
Table Box	2	"V" Top Straps	
Table Box	2	"V" Bottom Feet	

Hardware List and Verification

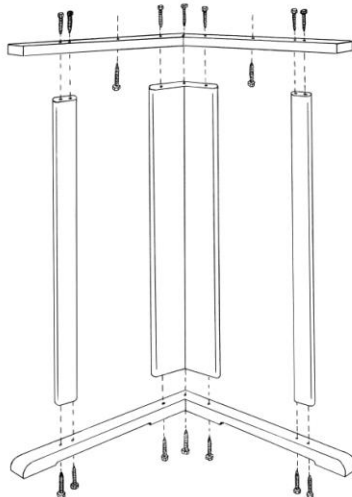
Quantity	Description	QC Check
36	2" Lag Bolts	
36	Flat Washers	
8 (threaded into Bottom Feet)	Levelers	

QUALITY CONTROL CHECK PERFORMED BY: _____

ATTENTION  Do Not Assemble with Power Tools
--

ASSEMBLY INSTRUCTIONS:

- 1) ALIGN THE 3 HOLES AT THE POINT OF THE "V" TOP STRAPS WITH THE 3 HOLES ON ONE END OF EACH OF THE V SHAPED LEGS. MAKE SURE THAT THE COUNTERSUNK HOLES (WIDE END OF THE HOLE) IS FACING AWAY FROM THE LEG. **LOOSELY** ATTACH THE TOP STRAPS USING **6 - 2" LAG BOLTS**.
- 2) ALIGN EACH PAIR OF HOLES ON EACH END OF THE TOP STRAP WITH THE PAIR OF HOLES IN THE END OF THE OVAL LEGS (IT DOES NOT MATTER TO WHICH END OF THE LEG). **LOOSELY** ATTACH THE LEGS USING **8 - 2" LAG BOLTS**.
- 3) **LOOSELY** ATTACH THE "V" BOTTOM FEET IN THE SAME MANNER AS STEPS 1 AND 2. USE **14 - 2" LAG BOLTS** TO **LOOSELY** ATTACH THE BOTTOM FEET. THIS COMPLETES THE BASE ASSEMBLY.
- 4) TURN THE TABLE UPSIDE DOWN AND PLACE ON A SOFT, NON-ABRASIVE SURFACE.
- 5) ALIGN THE HOLES IN THE TOP STRAPS BETWEEN THE LEGS WITH THE HOLES IN THE EXTENSION SLIDES. ATTACH THE BASE USING THE OTHER **8 - 2" LAG BOLTS**.
- 6) FINISH TIGHTENING ALL LAG BOLTS INTO PLACE.
- 7) PRESS PLUGS INTO PLACE OVER THE STRETCHER LAG BOLTS. IF PLUGS CAN NOT BE SECURED BY HAND, USE A RUBBER Mallet OR FOLD A SOFT CLOTH OVER THE PLUG AND **GENTLY** TAP INTO PLACE WITH A HAMMER.
- 8) CAREFULLY TURN TABLE UPRIGHT. ADJUST LEVELERS AS NEEDED.



EXTENSION LEAF/LEAVES SELF STORE NOTES:

EXTENSION TABLES OF THIS TYPE ARE NOT AVAILABLE WITH A SELF STORING LEAF/LEAVES OPTION.