



EXTENSION – NEW TRADITIONS TRESTLE TABLE ASSEMBLY

Base Part Location and Verification

Location	Quantity	Description	QC Check
Base Box	2	Legs/Ends	
Base Box	2	Top Straps	
Base Box	2	Bottom Feet	
Table Box	3	Stretchers	

Hardware List and Verification

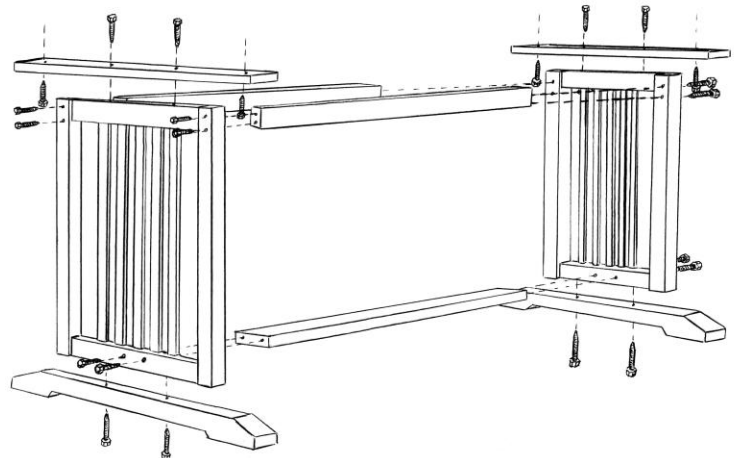
Quantity	Description	QC Check
24	2" Lag Bolts	
24	Flat Washers	
14 (2 Spare)	3/4" Button Plugs	
4 (threaded into Bottom Feet)	Levelers	

QUALITY CONTROL CHECK PERFORMED BY: _____

ATTENTION  **Do Not Assemble with Power Tools**

ASSEMBLY INSTRUCTIONS:

- 1) USE THE 4 - 2" LAG BOLTS TO LOOSELY ATTACH THE BOTTOM FEET TO THE BOTTOM END OF THE LEGS. THE BOTTOM END HAS TWO SETS OF COUNTERSUNK HOLES (WIDER END OF HOLE) ON THE OUTSIDE OF THE LEG. THESE HOLES SHOULD BE ON THE TOP END, FACING OUT.
- 2) USE 4 - 2" LAG BOLTS TO LOOSELY ATTACH THE TOP STRAPS TO THE TOP END OF THE LEGS/ENDS.
- 3) STAND BOTH LEG ENDS PARALLEL TO EACH OTHER WITH THE COUNTERSUNK HOLES IN THE LEGS FACING OUTWARD.
- 4) USE 12 - 2" LAG BOLTS TO LOOSELY ATTACH THE STRETCHERS (WIDE ONE ON THE BOTTOM, TWO NARROW ONES ON THE TOP) TO THE LEGS. THIS COMPLETES THE BASE ASSEMBLY.
- 5) TURN TABLE UPSIDE DOWN AND PLACE ON A SOFT, NON-ABRASIVE SURFACE.
- 6) ALIGN THE OUTERMOST HOLES IN THE TOP STRAPS WITH THE PRE-DRILLED HOLES ON THE BOTTOM OF THE EXTENSION SLIDES. ATTACH THEM WITH THE OTHER 4 - 2" LAG BOLTS.
- 7) FINISH TIGHTENING STRETCHER LAG BOLTS INTO PLACE.
- 8) PRESS PLUGS INTO PLACE OVER THE STRETCHER LAG BOLTS. IF PLUGS CAN NOT BE SECURED BY HAND, USE A RUBBER Mallet OR FOLD A SOFT CLOTH OVER THE PLUG AND GENTLY TAP INTO PLACE WITH A HAMMER.
- 9) CAREFULLY TURN TABLE UPRIGHT. ADJUST LEVELERS AS NEEDED.



EXTENSION LEAF/LEAVES SELF STORE NOTES:

EXTENSION SIZES OF 42X60 AND LARGER OF THIS TABLE TYPE HAVE THE STANDARD ABILITY TO SELF STORE THE TABLE LEAF/LEAVES. LEAVES ARE STORED UNDER THE TABLE, BETWEEN THE TABLE SLIDES, AND REST ON THE TOP STRAPS.