



## KILLINGTON ASSEMBLY

### Base Part Location and Verification

Location	Quantity	Description	QC Check
Base Box	2	Leg Ends	
Table Box	1	Stretcher	

### Hardware List and Verification

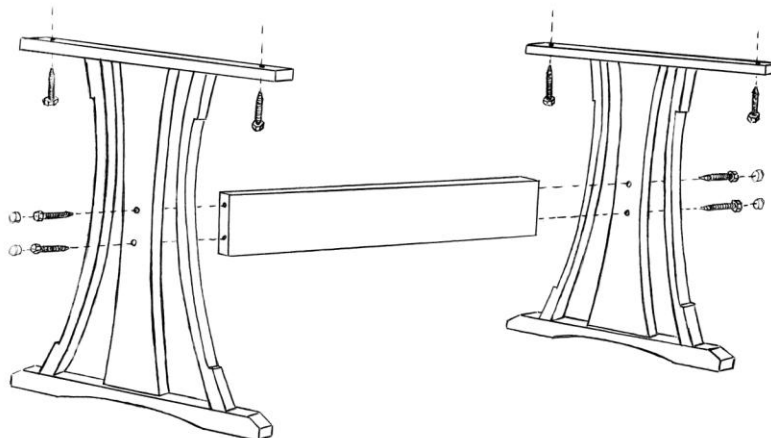
Quantity	Description	QC Check
4	Black Lag Bolts	
4	2" Lag Bolts	
8	Flat Washers	
5 (1 Spare)	Wood Plugs	
4 (Threaded into Bottom Feet)	Levelers	

QUALITY CONTROL CHECK PERFORMED BY: \_\_\_\_\_

**ATTENTION**  **Do Not Assemble with Power Tools**

### ASSEMBLY INSTRUCTIONS:

- 1) LOOSELY ATTACH THE STRETCHER TO BOTH LEG ENDS USING THE MIDDLE HOLES ON THE CENTER LEG OF EACH BASE END. USE THE 4 - 2" LONG LAG BOLTS, AND 4 - FLAT WASHERS FOR THIS CONNECTION. BE SURE THAT THE COUNTERSUNK SIDE, (WIDER END OF THE PRE DRILLED HOLES) OF EACH BASE END FACES OUT.**
- 2) PLACE THE TABLE UPSIDE DOWN ON A SOFT, NON ABRASIVE SURFACE.**
- 3) LINE UP THE HOLES IN THE TOP STRAPS OF THE BASE ENDS WITH THE HOLES IN THE BOTTOM OF THE TABLE (HOLES WILL BE ON THE SLIDES FOR EXTENSIONS) AND BOLT THEM ON. USE THE BLACK LAG BOLTS, AND REMAINING 4 WASHERS FOR THIS CONNECTION. IMPORTANT: BE CERTAIN TO USE THE BLACK LAG BOLTS, AS THE LONGER 2" LAG BOLTS MAY ACTUALLY GO THROUGH THE TABLE TOP.**
- 4) FINISH TIGHTENING THE LAG BOLTS ON THE STRETCHER ENDS. SCREW LEVELERS INTO THE THREADED INSERTS LOCATED ON THE UNDERSIDE OF THE BOTTOM FEET AND TURN CLOCKWISE TO TIGHTEN.**
- 5) PRESS PLUGS INTO PLACE OVER THE STRETCHER BOLTS. IF PLUGS CAN NOT BE SECURED BY HAND, USE A RUBBER Mallet, OR FOLD A SOFT CLOTH OVER THE PLUG AND GENTLY TAP INTO PLACE WITH A HAMMER.**
- 6) CAREFULLY TURN THE TABLE UPRIGHT AND ADJUST LEVELERS AS NECESSARY.**



### EXTENSION LEAF/LEAVES SELF STORE NOTES:

EXTENSION SIZES OF 42X60 AND LARGER OF THIS TABLE TYPE HAVE THE STANDARD ABILITY TO SELF STORE THE TABLE LEAF/LEAVES. LEAVES ARE STORED UNDER THE TABLE, BETWEEN THE TABLE SLIDES, AND SIT ON THE TOP STRAPS.