

ASSEMBLY INSTRUCTIONS

Junction Table

<u>Base Parts List</u>		<u>Hardware List</u>	
Top Plate & Legs Assembly	(1)	Black Lag Bolts	(6)
		Flat Washers	(6)

ATTENTION  Do Not Assemble with Power Tools

- 1) Turn the table upside down and place on a soft, non-abrasive surface.
- 2) Align the pairs of holes in the Top Plate with the pre-drilled holes on the bottom of the table. Make sure that the grain of the Top Plate and the grain of the table are going in opposite directions. See *Figure 1*.
- 3) Attach the Top Plate using the **Black Lag Bolts**. See *Figure 2*.

Figure 1

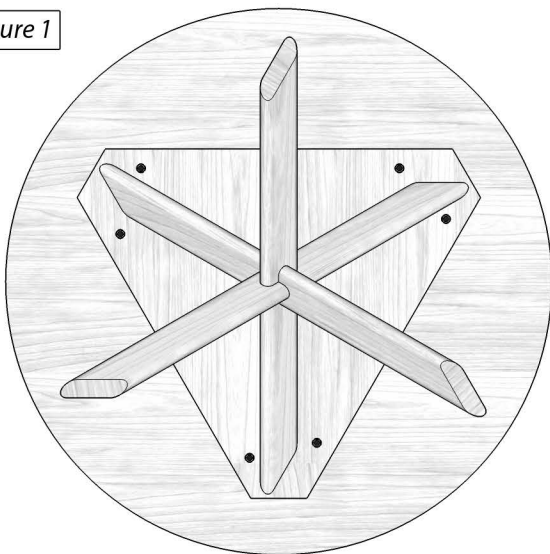


Figure 2

