

ASSEMBLY INSTRUCTIONS

Grand Isle Trestle Table (Extension)

<u>Base Parts List</u>		<u>Hardware List</u>	
Legs	(4)	Black Lag Bolts	(10)
Top Straps	(2)	2" Lag Bolts	(10)
Bottom Foot	(2)	3" Lag Bolts	(4)
Stretcher	(1)	Flat Washers	(24)
Slide Stretcher	(2)	Levelers - <i>threaded into bottom of feet</i>	(4)
Small Stop Block	(2)		
Large Stop Block			

ATTENTION  Do Not Assemble with Power Tools

1) Leg Assembly (*Figure 1*):

- A) Loosely attach 1 Bottom Foot into the notches of 2 Legs. Line up the 2 center holes on the Bottom Foot with the pilot holes in the notch of each Leg. Attach with 2 - **3" Lag Bolts**.
- B) Loosely attach 1 Top Strap to the top of each Leg. Line up the 2 center holes on the Top Strap with the pilot holes in each Leg. Attach with 2 - **2" Lag Bolts**.
- C) Finish tightening all Lag Bolts into place.
- D) Repeat steps A - C with remaining parts.

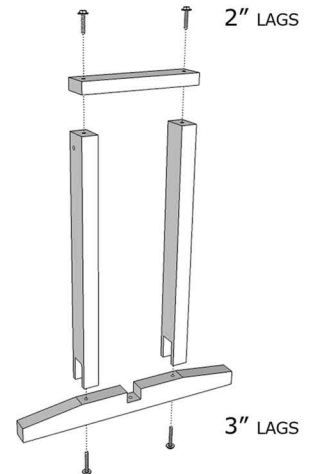


Figure 1

- 2) Loosely attach the Stretcher to both Leg Assemblies by intersecting the notches in an "I" formation. Use 2 - **2" Lag Bolts** to attach the pieces together.
- 3) Attach the 2 Slide Stretchers to each Leg Assembly level with the top with the other 4 - **2" Lag Bolts**. See *Figure 2* for alignment.

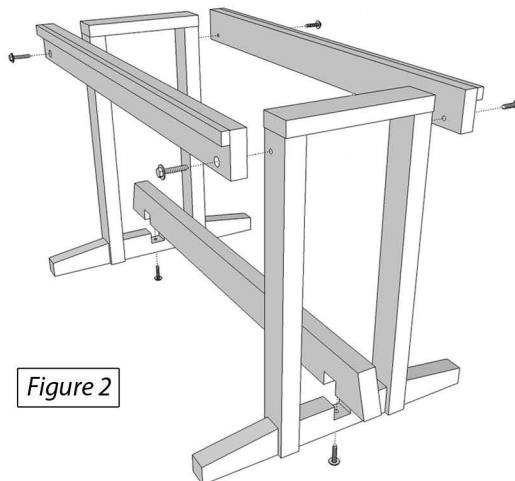


Figure 2

ASSEMBLY INSTRUCTIONS

Grand Isle Trestle Table (Extension)

ATTENTION



Do Not Assemble with Power Tools

- 4) Finish tightening all Lag Bolts into place.
- 5) With the base upright, slide each end of the table top onto the base. Make sure the Slide Guides on the table top line up with the Slide Stretchers on the base. Push the ends together. See *Figure 3* for alignment.
- 6) From underneath the table, align the 3 holes in each Large Stop Block and the 2 holes in each Small Stop Block with the pilot holes in the bottom of the table. Firmly attach the stop blocks to the table using the **Black Lag Bolts**. See *Figure 3* for alignment.

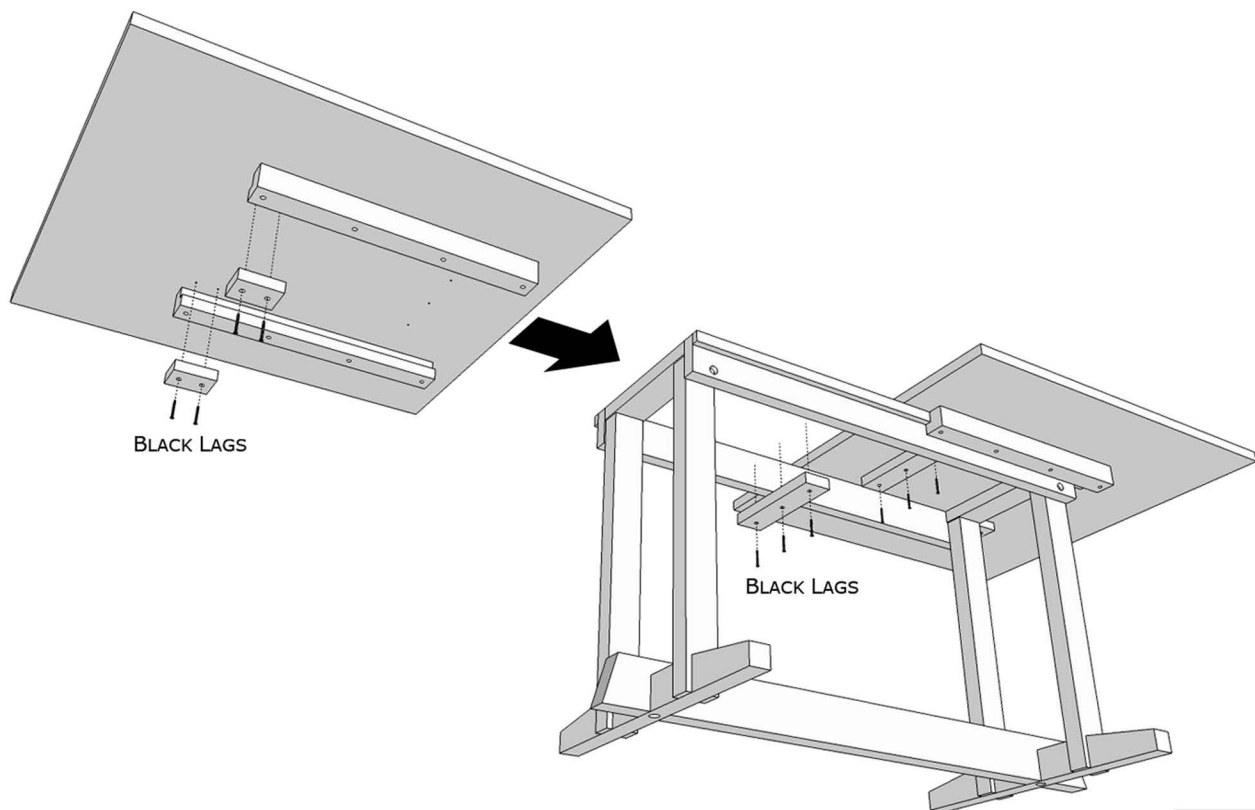


Figure 3