



EXTENSION – DUNCAN-PHYFE SINGLE PEDESTAL TABLE ASSEMBLY

Base Part Location and Verification

Location	Quantity	Description	QC Check
Base Box	1	Round Column	
Base Box	1 (2)	Top Plate (Top Straps)	
Base Box	4	Feet	

Hardware List and Verification

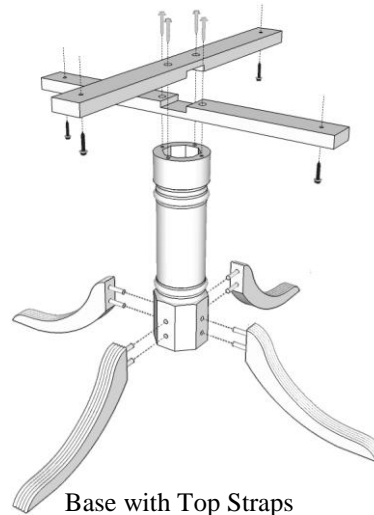
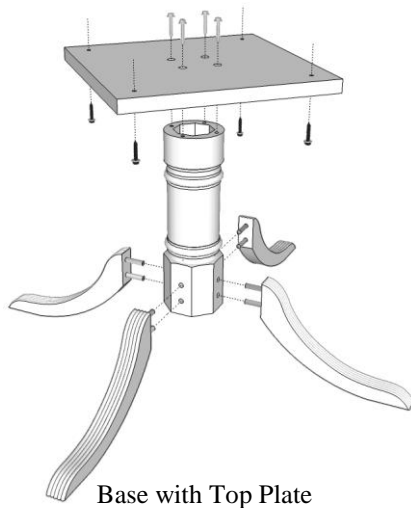
Quantity	Description	QC Check
8	2" Lag Bolts	
8	5/16" Nuts	
16	Flat Washers	
4 (threaded into Feet)	Levelers	

QUALITY CONTROL CHECK PERFORMED BY: _____

ATTENTION  **Do Not Assemble with Power Tools**

ASSEMBLY INSTRUCTIONS:

- 1) IF YOUR TABLE HAS A SQUARE TOP PLATE, PLACE IT WITH THE UNFINISHED SIDE UP ON ONE END OF THE COLUMN. OR IF YOUR TABLE HAS 2 NOTCHED TOP STRAPS, CROSS THEM TO FORM A "PLUS" SIGN BY INTERSECTING THE NOTCHES TOGETHER. SEE DRAWING BELOW.
- 2) ALIGN THE CENTER PRE-DRILLED HOLES IN THE TOP PLATE OR STRAPS WITH THE **PRE-DRILLED END** OF THE COLUMN. **LOOSELY** ATTACH USING **4 - 2" LAG BOLTS**. BE SURE THAT THE UNFINISHED SIDE OF THE TOP STRAPS FACES AWAY FROM THE COLUMN.
- 3) EACH CURVED LEG HAS TWO MACHINED BOLTS ATTACHED TO IT. PLACE THE BOLTS IN THE HOLES LOCATED ON THE BOTTOM SIDES OF THE COLUMN.
- 4) USE THE **8 - 5/16" NUTS AND WASHERS** TO SECURE THEM IN PLACE. THIS COMPLETES THE BASE ASSEMBLY.
- 5) TURN THE TABLE UPSIDE DOWN AND PLACE ON A SOFT, NON-ABRASIVE SURFACE.
- 6) ALIGN THE OUTERMOST HOLES IN THE TOP STRAPS WITH THE PRE-DRILLED HOLES ON THE BOTTOM OF THE EXTENSION SLIDES. ATTACH THEM WITH THE OTHER **4 - 2" LAG BOLTS**.
- 7) FINISH TIGHTENING ALL LAG BOLTS INTO PLACE.
- 8) CAREFULLY TURN TABLE UPRIGHT. ADJUST LEVELERS AS NEEDED.



EXTENSION LEAF/LEAVES SELF STORE NOTES:

EXTENSION TABLES OF THIS TYPE ARE NOT AVAILABLE WITH A SELF STORING LEAF/LEAVES OPTION.