



EXTENSION – CHELSEA TRESTLE TABLE ASSEMBLY

Base Part Location and Verification

Location	Quantity	Description	QC Check
Base Box	2	Leg Assembly	
Table Box	1	Stretcher	
Table Box	2	Slide Stretcher	

Hardware List and Verification

Quantity	Description	QC Check
6	2" Lag Bolts	
6	Flat Washers	
10 (2 Spare)	1 3/4" Pan Head Screws	
3 (1 Spare)	3/4" Button Plugs	
4 (threaded into Bottom Feet)	Levelers	

QUALITY CONTROL CHECK PERFORMED BY: _____

ATTENTION  **Do Not Assemble with Power Tools**

ASSEMBLY INSTRUCTIONS:

- 1) LOOSELY ATTACH THE STRETCHER TO BOTH LEG ASSEMBLIES USING THE HOLES IN EACH LEG WITH 2 - 2" LAG BOLTS. MAKE SURE THE NOTCH IN THE CENTER OF THE LEG ASSEMBLY IS FACING THE STRETCHER END. (FIGURE 1)**
- 2) LOOSELY ATTACH THE 2 SLIDE STRETCHERS TO EACH LEG ASSEMBLY LEVEL WITH THE TOP OF THE LEGS USING 8 - 1 3/4" SCREWS. (FIGURE 2) THIS COMPLETES THE BASE ASSEMBLY.**
- 3) TURN THE TABLE UPSIDE DOWN AND PLACE ON A SOFT, NON-ABRASIVE SURFACE.**
- 4) ALIGN THE HOLES IN THE LEG ASSEMBLIES WITH THE PRE-DRILLED HOLES IN THE EXTENSION SLIDES. ATTACH USING THE OTHER 4 - 2" LAG BOLTS. (FIGURE 3)**
- 5) FINISH TIGHTENING ALL LAGS INTO PLACE.**
- 6) PRESS PLUGS INTO PLACE OVER THE STRETCHER LAG BOLTS. IF PLUGS CAN NOT BE SECURED BY HAND, USE A RUBBER Mallet OR FOLD A SOFT CLOTH OVER THE PLUG AND GENTLY TAP INTO PLACE WITH A HAMMER.**
- 7) CAREFULLY TURN TABLE UPRIGHT. ADJUST LEVELERS AS NEEDED.**

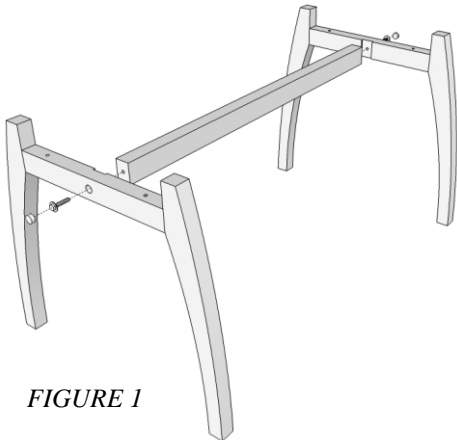


FIGURE 1

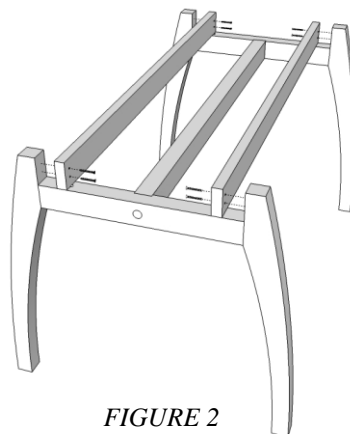


FIGURE 2

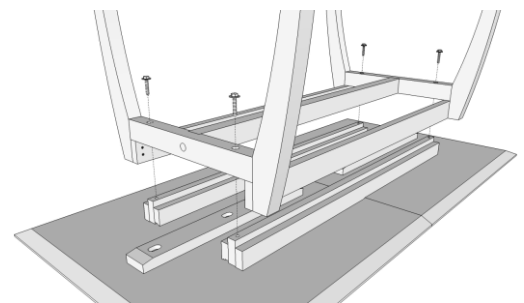


FIGURE 3