

ASSEMBLY INSTRUCTIONS

Chelsea Trestle Table (Solid Top)

<u>Base Parts List</u>		<u>Hardware List</u>	
Top Straps	(2)	Black Lag Bolts	(6)
Leg Assemblies	(2)	2" Lag Bolts	(6)
Stretcher	(1)	Flat Washers	(12)
		3/4" Button Plugs - <i>1 spare included</i>	(3)
		Levelers - <i>threaded into bottom of feet</i>	(4)

ATTENTION



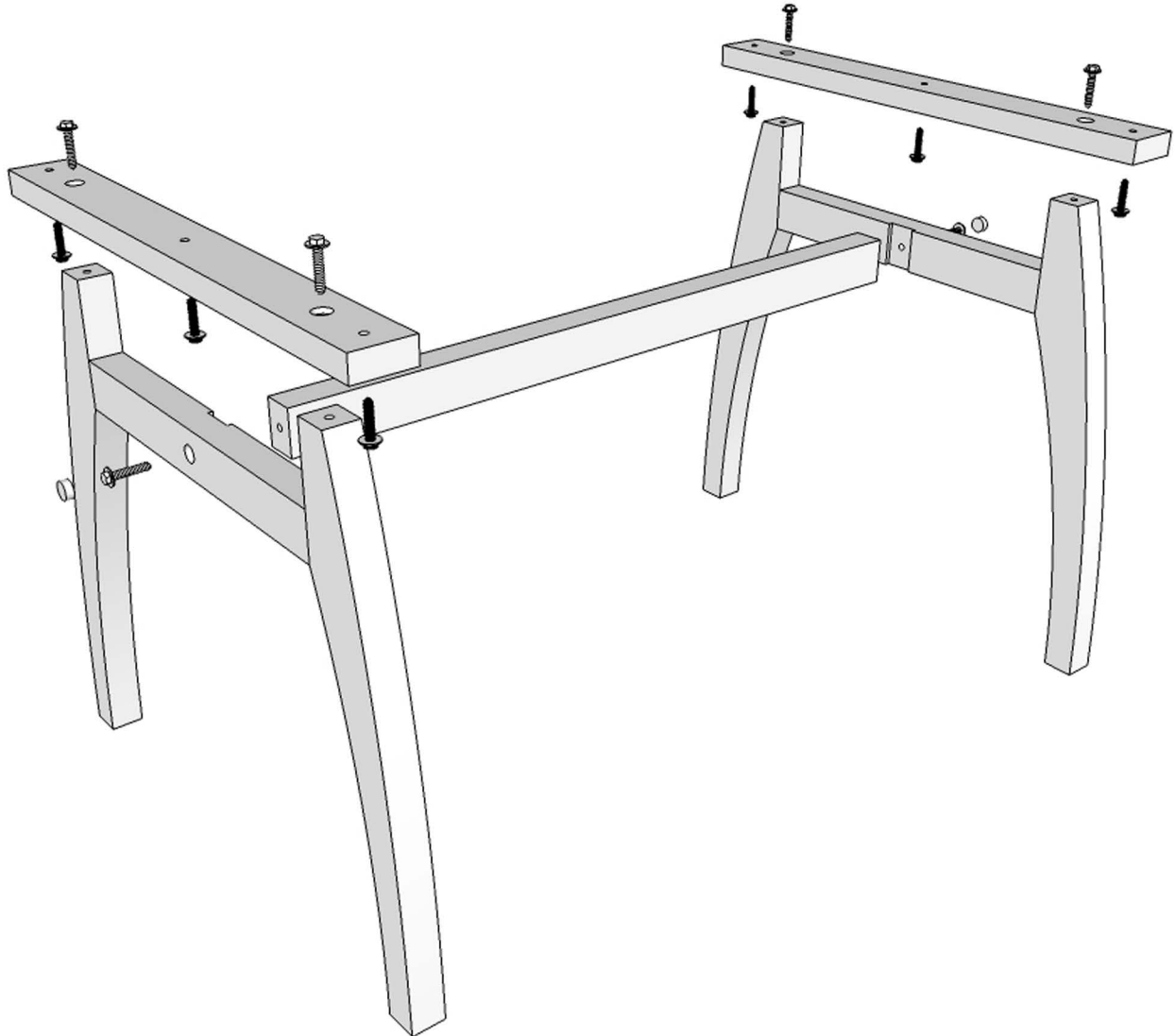
Do Not Assemble with Power Tools

- Loosely attach Top Straps to the pre-drilled holes on the tops the Legs using **4 - 2" Lag Bolts**.
- Loosely attach the Stretcher to both Leg Assemblies using the holes in each Leg with **2 - 2" Lag Bolts**. Make sure the notch in the center of the Leg Assembly is facing the end of the Stretcher. This completes the base assembly.
- Turn the table upside down and place on a soft, non-abrasive surface.
- Align the outermost holes in the Top Straps with the pre-dilled holes on the bottom of the table. Attach them with the **Black Lag Bolts**.
IMPORTANT: Be certain to use the Black Lag Bolts, as the longer 2" Lag Bolts may actually go through the table top.
- Finish tightening all Lag Bolts into place.
- Press Button Plugs into place over the Stretcher Lag Bolts. If Plugs cannot be secured by hand, use a rubber mallet or fold a soft cloth over the Plug and gently tap into place with a hammer.
- Carefully turn table upright. Adjust Levelers as needed.

(See Page 2 for base assembly diagram)

ASSEMBLY INSTRUCTIONS

Chelsea Trestle Table (Solid Top)



ATTENTION  Do Not Assemble with Power Tools