

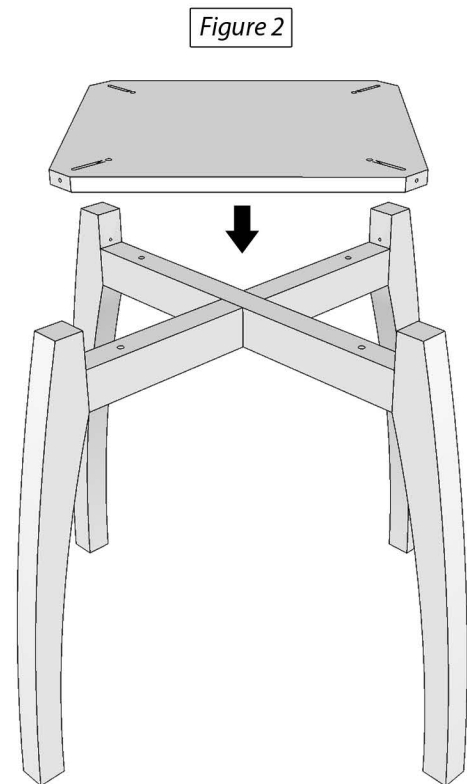
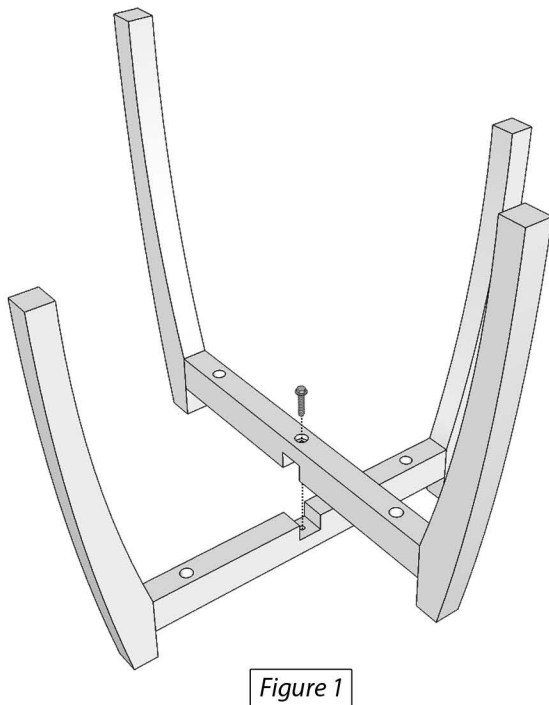
ASSEMBLY INSTRUCTIONS

Chelsea Pedestal Table (Extension)

| <u>Base Parts List</u> | | <u>Hardware List</u> | |
|------------------------|-----|--|-----|
| Notched Leg Assembly | (2) | 2" Lag Bolts | (5) |
| Top Plate | (1) | Flat Washers | (5) |
| | | 1 5/8" Black Screws | (4) |
| | | Levelers - <i>threaded into bottom of feet</i> | (4) |

ATTENTION  Do Not Assemble with Power Tools

- 1) Turn the table upside down and place on a soft, non-abrasive surface.
- 2) Cross the Leg Assemblies to create the base by placing the notches in each assembly together. Loosely attach together using **1 - 2" Lag Bolt**. (*Figure 1*)
- 3) Set the Top Plate on top of the base (*Figure 2*). Make sure that the alphabetical letters on the bottom of the plate correspond with the letters on top of the base.



Instructions continue on Page 2

ASSEMBLY INSTRUCTIONS

Chelsea Pedestal Table (Extension)

ATTENTION  Do Not Assemble with Power Tools

- 4) Use the 4 - 1 5/8" Black Screws to attach the Top Plate to the Legs. (Figure 3)
- 5) Align the holes in the Leg Assemblies with the pre-drilled holes on the bottom of the extension slides and loosely attach them using the other 4 - 2" Lag Bolts. (Figure 4)
- 6) Finish tightening all Lag Bolts into place.
- 7) Carefully turn table upright. Adjust Levelers as needed.

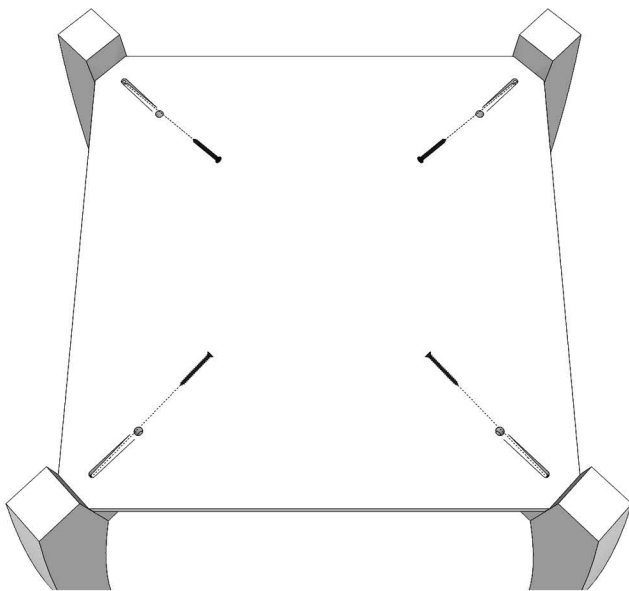


Figure 3

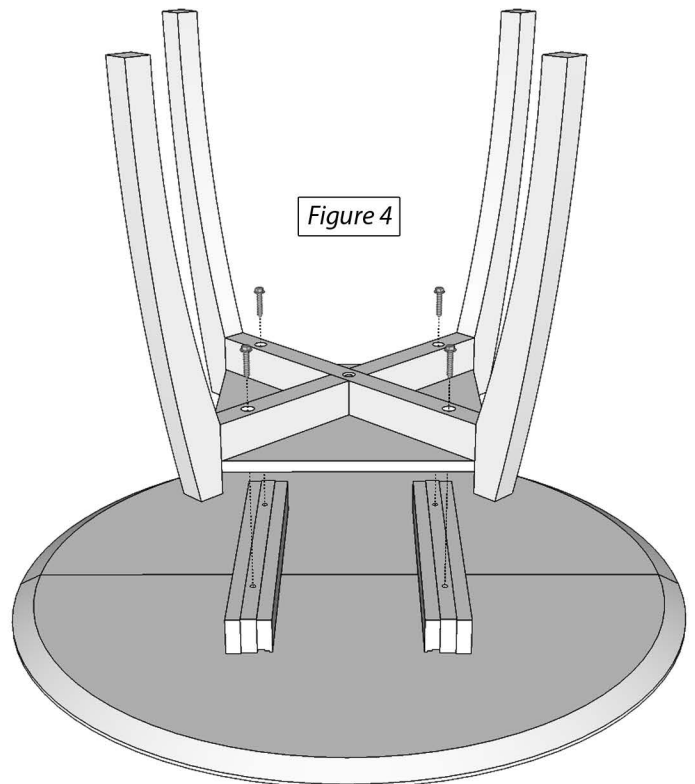


Figure 4