

ASSEMBLY INSTRUCTIONS

Chelsea Square Pedestal Table (Solid Top)

<u>Base Parts List</u>		<u>Hardware List</u>	
Notched Leg Assembly	(2)	2" Lag Bolts	(5)
Top Strap	(2)	Black Lag Bolts	(6)
		Flat Washers	(11)
		Levelers - <i>threaded into bottom of feet</i>	(4)

ATTENTION



Do Not Assemble with Power Tools

1) Cross the Leg Assemblies to create the base by placing the notches in each assembly together. Loosely attach together using **1 - 2" Lag Bolt**. (Figure 1)

2) Use the other **4 - 2" Lag Bolts** to attach the Top Straps to the Legs. (Figure 2)

3) Turn the table top upside down and place on a soft, non-abrasive surface.

4) Align the holes in the Top Straps with the pre-drilled holes in the bottom of the table top. Loosely attach them using the **Black Lag Bolts**. (Figure 3)

IMPORTANT: Be certain to use the Black Lag Bolts, as the longer 2" Lag Bolts may actually go through the table top.

5) Finish tightening all Lag Bolts into place.

6) Carefully turn table upright. Adjust Levelers as needed.

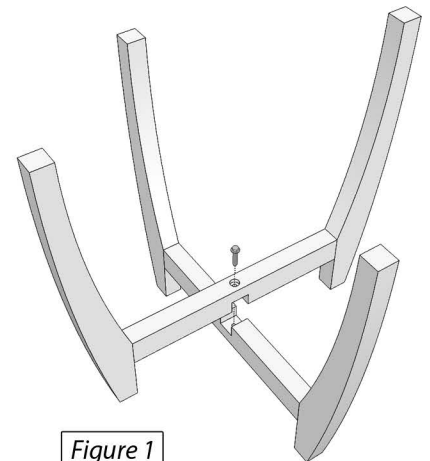


Figure 1

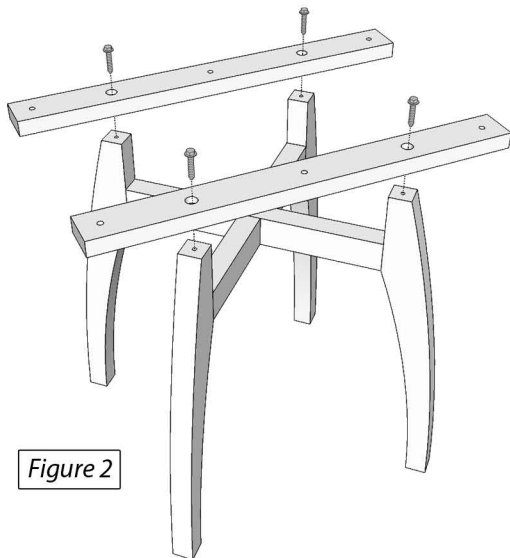


Figure 2

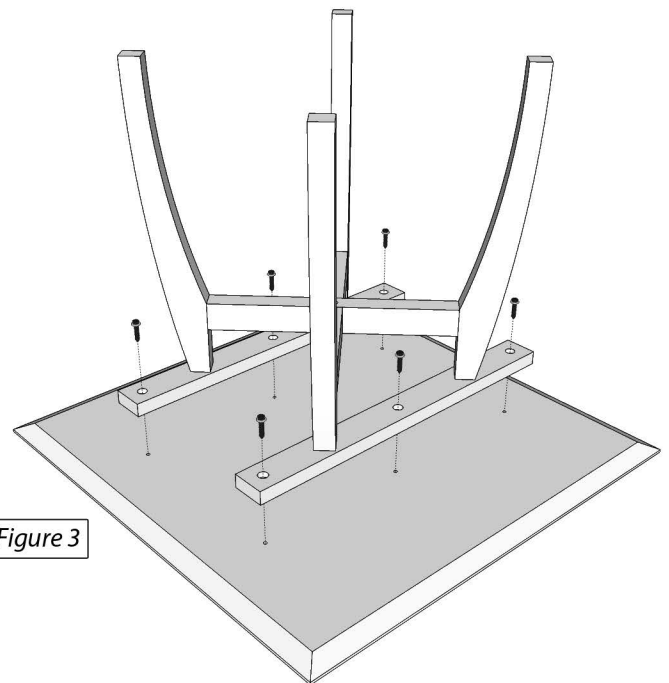


Figure 3