



## CENTER-LEG INSTRUCTIONS

### Base Part Location and Verification

Location	Quantity	Description	QC Check
	1	Support	
	1	Leg	

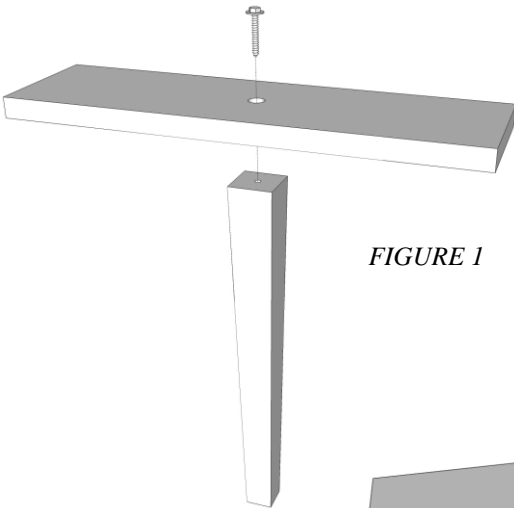
### Hardware List and Verification

Quantity	Description	QC Check
1	2 1/2" Lag Bolt	
1	Flat Washer	
1	Leveler	

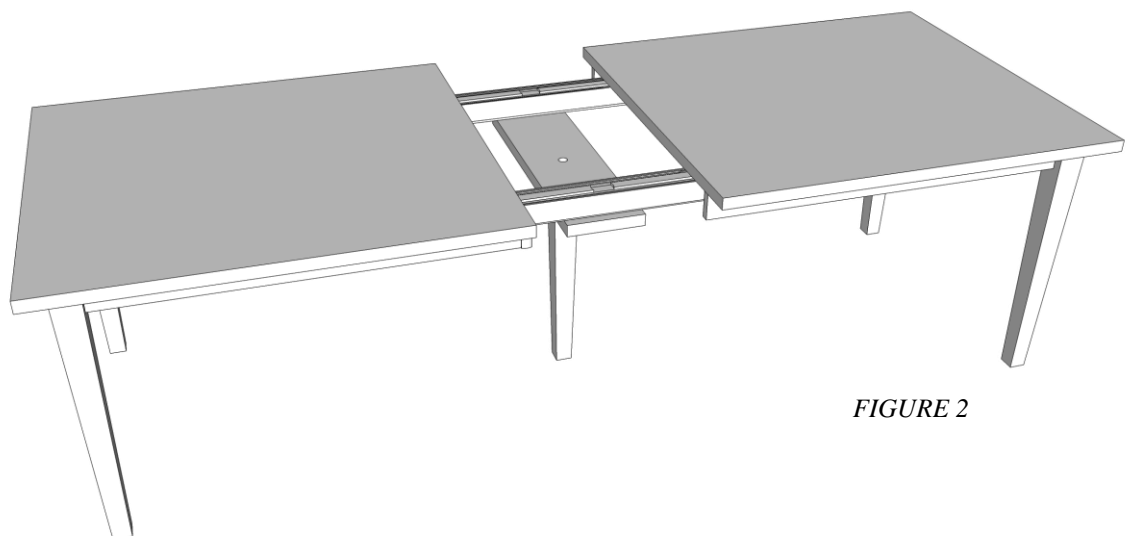
QUALITY CONTROL CHECK PERFORMED BY: \_\_\_\_\_

### ASSEMBLY INSTRUCTIONS:

- 1) ALIGN THE HOLE IN THE LEG WITH THE HOLE IN THE SUPPORT. MAKE SURE THAT THE COUNTERSINK (WIDER END OF THE HOLE) FACES AWAY FROM THE LEG.
- 2) USE THE 2 1/2" LAG BOLT TO ATTACH THE TWO TOGETHER. SEE *FIGURE 1*.
- 3) PROP THE SUPPORT UNDER THE SLIDES IN THE MIDDLE OF THE TABLE. SEE *FIGURE 2*.
- 4) USE THE LEVELER IN THE BOTTOM OF THE LEG TO ADJUST HEIGHT IF NEEDED.

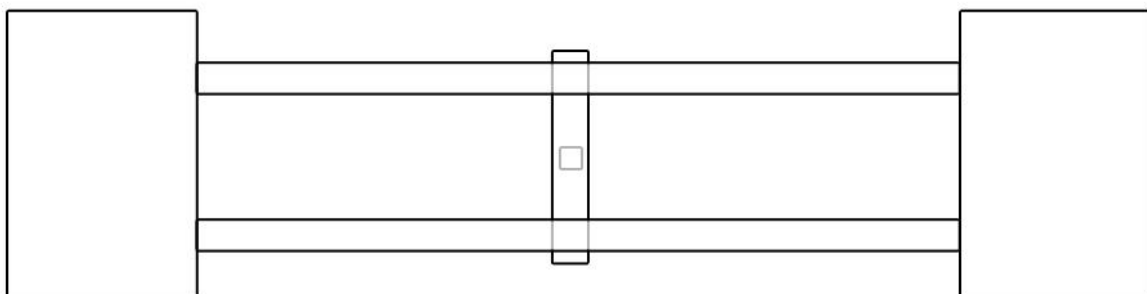
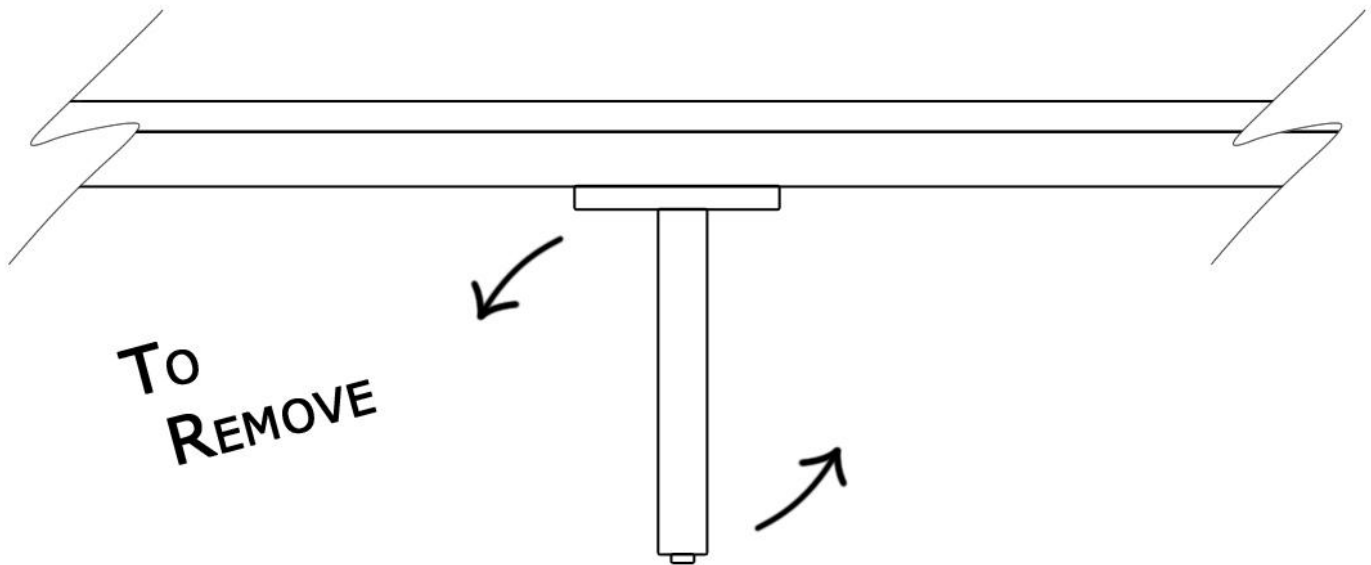
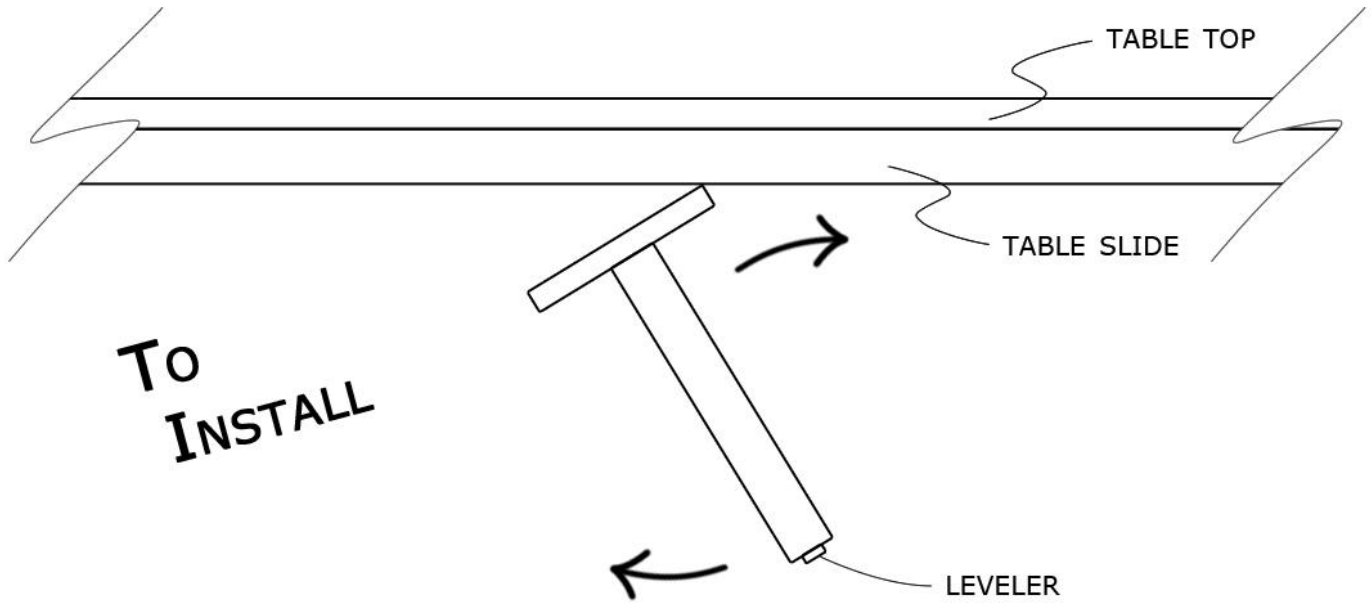


*FIGURE 1*



*FIGURE 2*

# How to Install a Center Leg



OPEN TOP VIEW