



EXTENSION – CABRIOLE DOUBLE PEDESTAL TABLE ASSEMBLY

Base Part Location and Verification

Location	Quantity	Description	QC Check
Base Box	2	Round Columns	
Base Box	6	Feet	
Base Box	2	Top Straps	
Table Box	1	Stretcher	

Hardware List and Verification

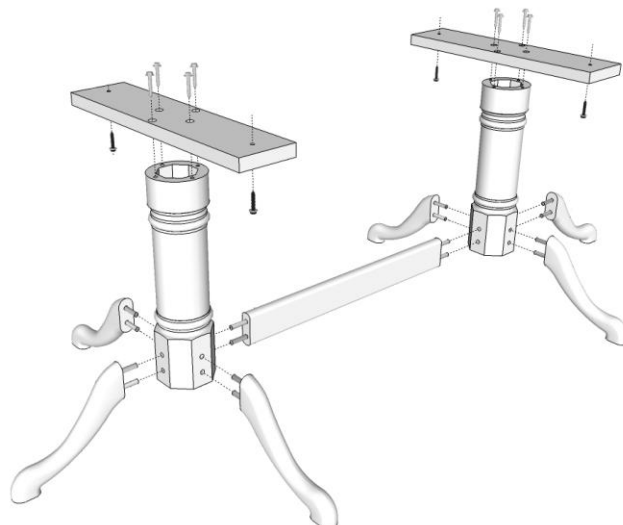
Quantity	Description	QC Check
12	2" Lag Bolts	
28	Flat Washers	
16	5/16" Nuts	
6 (threaded into Feet)	Levelers	

QUALITY CONTROL CHECK PERFORMED BY: _____

ATTENTION  Do Not Assemble with Power Tools
--

ASSEMBLY INSTRUCTIONS:

- 1) ALIGN THE CENTER HOLES OF EACH TOP STRAP WITH THE HOLES ON THE **PRE-DRILLED ENDS** OF EACH OF THE COLUMNS.
- 2) ATTACH THE TOP STRAPS TO EACH COLUMN USING THE **8 - 2" LAG BOLTS**.
- 3) EACH FOOT HAS 2 MACHINED BOLTS IN IT. PLACE THE BOLTS THROUGH THE HOLES LOCATED ON THE SIDES AT THE BOTTOM OF THE COLUMN (3 FEET PER COLUMN). MAKE SURE THAT THE OPPOSING LEGS/FEET ARE PARALLEL TO THE TOP STRAPS ABOVE.
- 4) USE **12 - 5/16" NUTS AND WASHERS** TO SECURE THE FEET TO THE COLUMN.
- 5) THE STRETCHER ALSO HAS 2 MACHINED BOLTS ON EACH END. ATTACH THE STRETCHER TO EACH COLUMN IN THE SAME MANNER AS THE FEET WITH THE OTHER **4 - 5/16" NUTS AND WASHERS**. THIS COMPLETES THE BASE ASSEMBLY.
- 6) TURN THE TABLE UPSIDE DOWN AND PLACE ON A SOFT, NON-ABRASIVE SURFACE.
- 7) ALIGN THE OUTERMOST HOLES IN THE TOP STRAPS WITH THE PRE-DRILLED HOLES ON THE BOTTOM OF THE EXTENSION SLIDES. ATTACH THEM WITH THE OTHER **4 - 2" LAG BOLTS**.
- 8) FINISH TIGHTENING ALL LAG BOLTS INTO PLACE AND THE NUTS CONNECTING THE STRETCHER TO THE COLUMNS.
- 9) CAREFULLY TURN TABLE UPRIGHT. ADJUST LEVELERS AS NEEDED.



EXTENSION LEAF/LEAVES SELF STORE NOTES:

EXTENSION TABLES OF THIS TYPE ARE NOT AVAILABLE WITH A SELF STORING LEAF/LEAVES OPTION.