

## ASSEMBLY INSTRUCTIONS

### Killington Elevations Desk

Base Parts List		Hardware List	
Top Stretcher - <i>long ConSet box</i>	(1)	Allen Wrench - <i>square ConSet box</i>	(1)
Top Stretcher End Caps - <i>long ConSet box</i>	(2)	Black Machine Screws - <i>pre-installed in each base leg</i>	(6/base)
Lower Stretcher - <i>long ConSet box</i>	(1)	Short Silver Screw - <i>square ConSet box</i>	(24)
Base Leg - <i>square ConSet box</i>	(1)	Long Black Screw - <i>long ConSet box</i>	(2)
Base Leg with motor - <i>square ConSet box</i>	(1)	Rubber Grommet - <i>square ConSet box</i>	(2)
		Nail-in Wire Clip - <i>long ConSet box</i>	(4)

#### ATTENTION

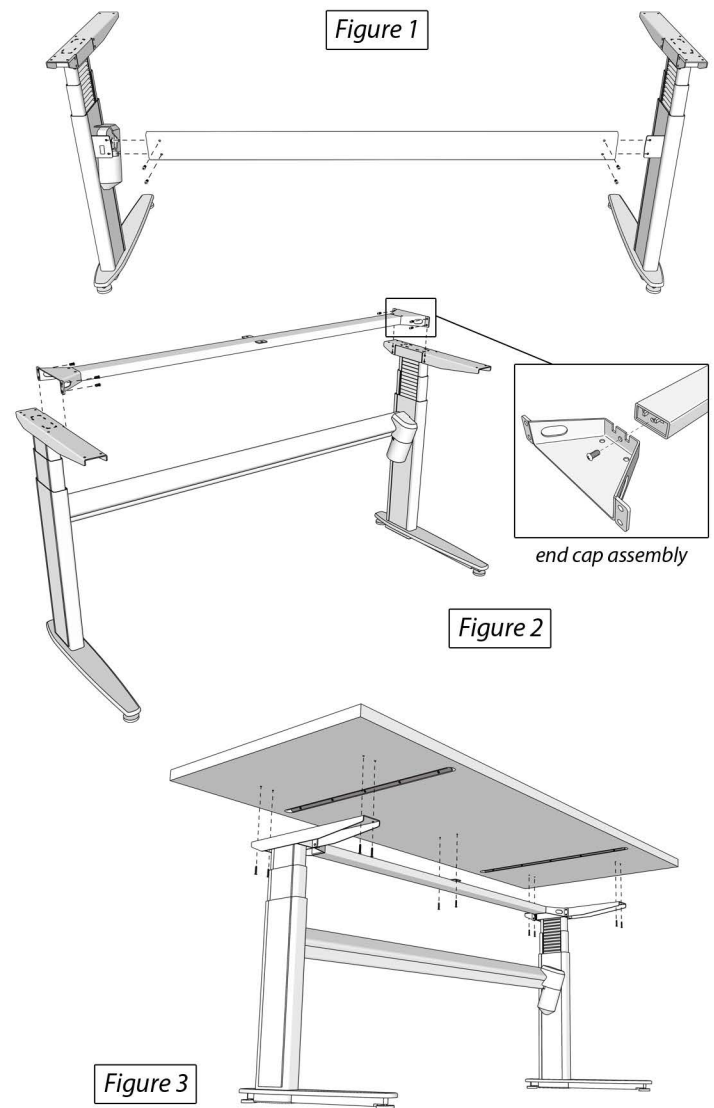


Do Not Assemble with Power Tools

**Please disregard the instructions found in the Square ConSet box.**

Refer to the following instructions to assemble this desk.

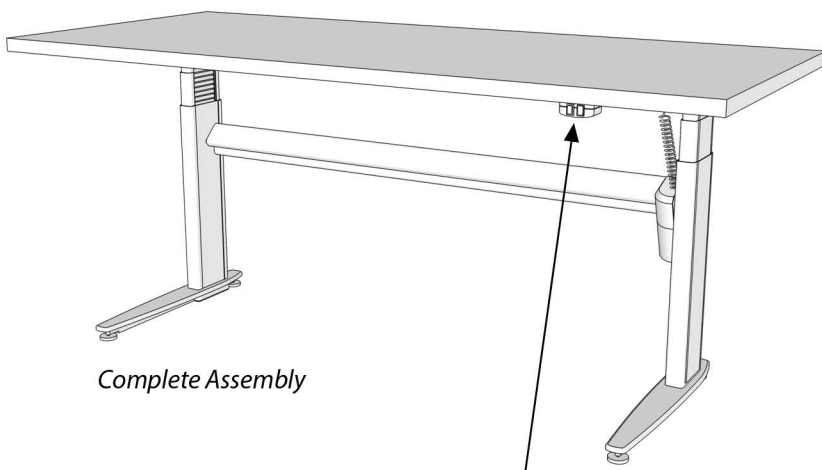
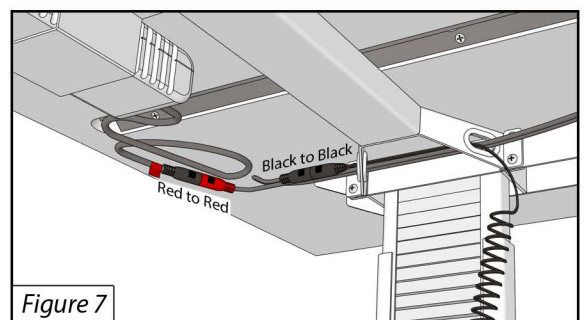
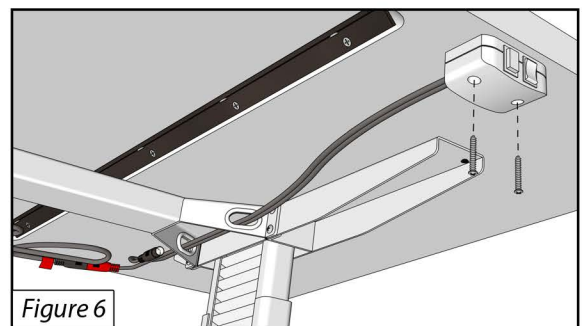
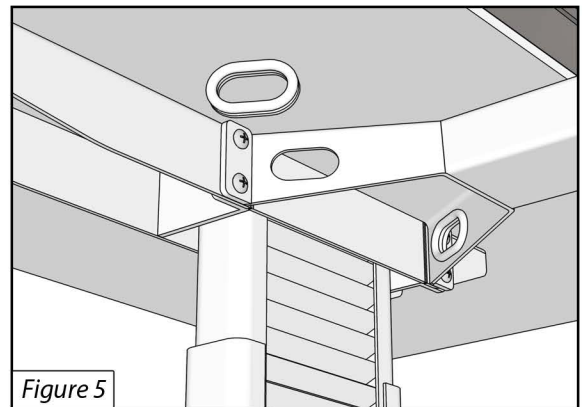
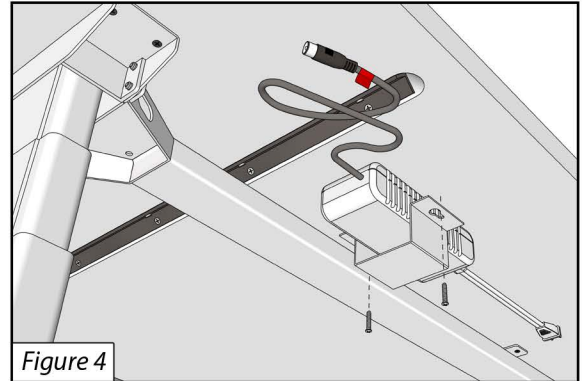
- To attach the lower stretcher to the base legs:  
Begin by removing the **4 black machine screws** from the base legs (2 per leg) with the provided allen wrench. Next, align the lower stretcher with the plates on the base legs and attach using the removed screws. (*Figure 1*)
- To assemble the top stretcher:  
Begin by removing the **2 black machine screws** from the ends of the stretcher bar (1 per end) with the provided allen wrench. Next, align the end caps with each end of the stretcher bar and attach using the removed screws. (*Figure 2*)
- To attach the top stretcher to the base legs:  
Begin by removing the **8 black machine screws** from the top of the base legs (4 per leg) with the provided allen wrench. Next, align holes in the stretcher end caps with the holes in the base legs and attach with the removed screws. (*Figure 2*)
- Place the top on the base, align the holes in the base with the pre-drilled holes in the top, and attach with **10 short silver screws**. (*Figure 3*)



### Killington Elevations Desk

**ATTENTION**  Do Not Assemble with Power Tools

- 5) To secure the power supply to the underside of the top, use **2 short silver screws** to attach the carriage to the top. Next, slide the power supply into the carriage with the wire with the red flag positioned towards the base leg with the motor. (Figure 4)
- 6) Install the rubber gaskets into the top stretcher end cap directly above the motor for the wires to feed through. (Figure 5)
- 7) Attach the height control pod to the underside of the front edge of the desk in a place that is accessible but not in the way. Use the **2 long black screws** to attach. (Figure 6)
- 8) Feed the wires for the height control pod and the base motor through the rubber gaskets. Connect the wires together; Red to Red and Black to Black. (Figure 7)
- 9) Use the nail-in wire clips to organize the loose wires.



To adjust the height, press and hold both buttons while using the rocker switch to raise/lower the desk.