



BROOKLINE LOW STEP BOOKCASE WALL ANCHORING

Hardware List and Verification

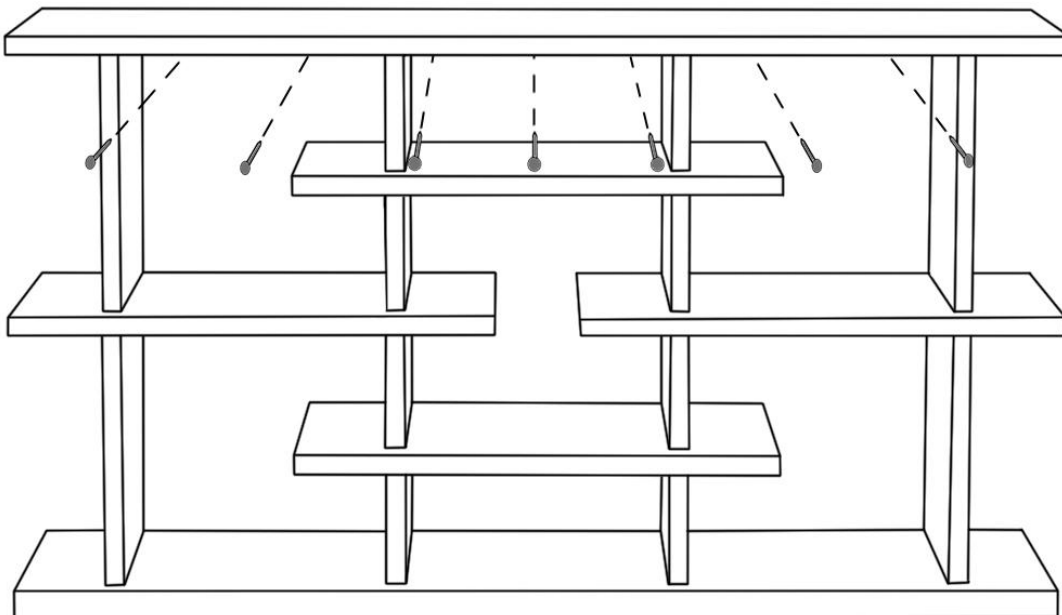
Quantity	Description	QC Check
7	2 1/2" Screws	

QUALITY CONTROL CHECK PERFORMED BY: _____

ATTENTION  **Do Not Assemble with Power Tools**

A SSEMBLY INSTRUCTIONS:

- 1) USE THE 7 - 2 1/2" SCREWS TO ANCHOR UNIT TO THE WALL STUDS. (HOLES ARE DRILLED IN TOP EVERY 8" TO HIT STUDS 16" ON CENTER)
- 2) FACTORY SUPPLIED HOLES ARE PROVIDED TO WORK WITH STANDARD WALL STUD SPACING. IF THE SUPPLIED HOLES DO NOT LINE UP WITH YOUR APPLICATION, ADDITIONAL HOLES WILL NEED TO BE DRILLED TO LINE UP WITH YOUR PARTICULAR STUD ALIGNMENT. THE NARROW DEPTH OF THIS UNIT REDUCES ITS STABILITY. IT IS CRITICAL THAT IT IS SECURLY ANCHORED TO WALL STUDS TO INSURE SAFETY.



Assemble and securely anchor storage wall unit to a solid or reinforced wall as shown. Failure to do so could cause instability and injury.

PROPER ANCHORING OF THE UNIT IS THE RESPONSIBILITY OF THE CONSUMER.