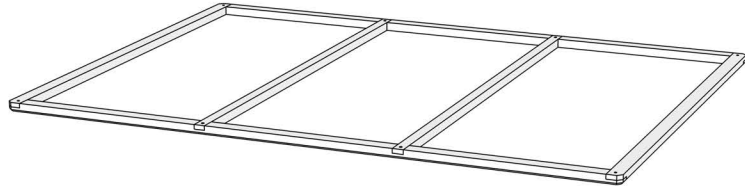


## ASSEMBLY INSTRUCTIONS



### Pencil Post Canopy Frame



THIS ASSEMBLY REQUIRES 2 PEOPLE TO COMPLETE

#### Hardware List

*screw is actual size*



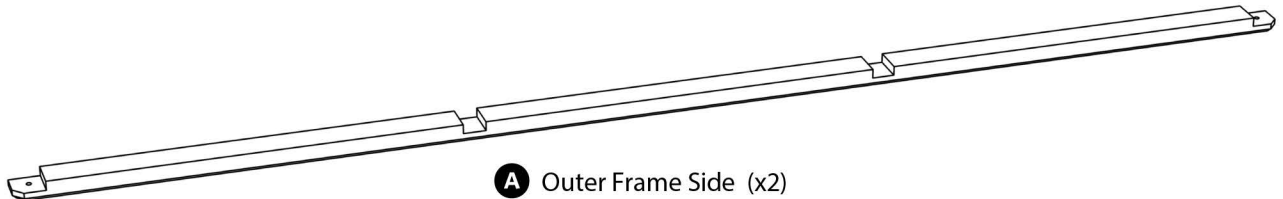
1" Screw (x4)  
*extra screws may be included*

**ATTENTION**

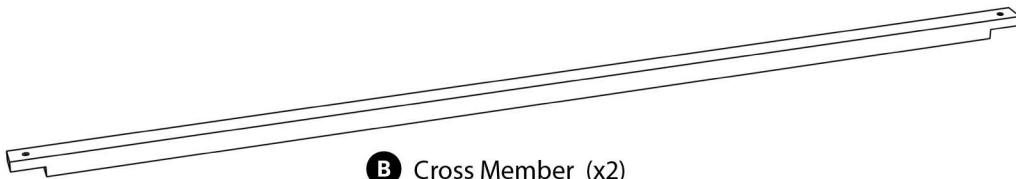


**Do Not Assemble with Power Tools**

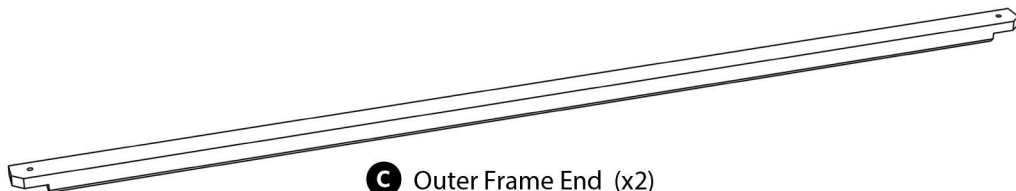
#### Pieces List



**A** Outer Frame Side (x2)



**B** Cross Member (x2)



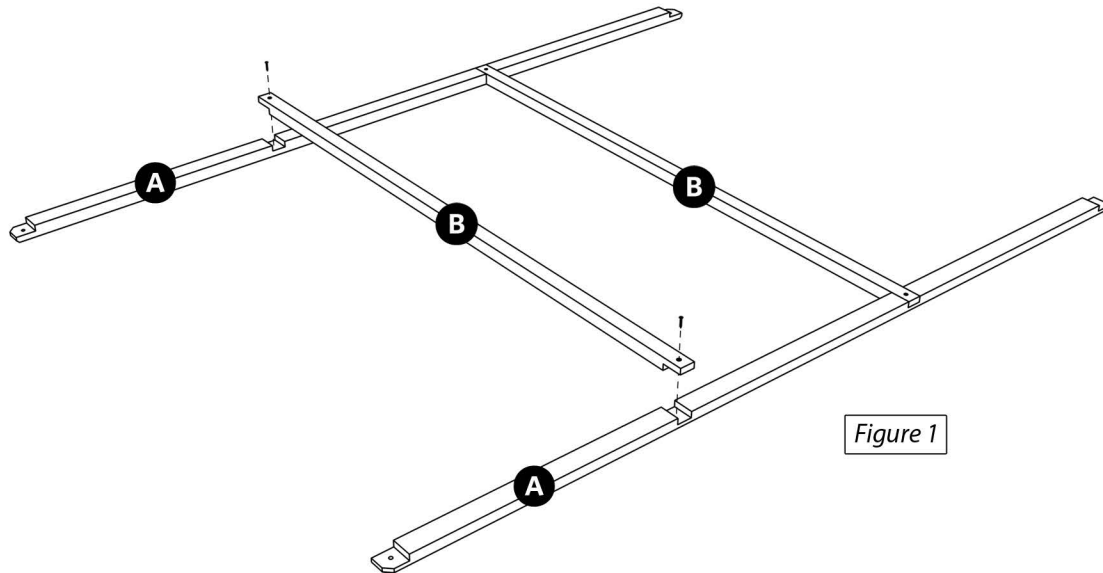
**C** Outer Frame End (x2)

## ASSEMBLY INSTRUCTIONS

### Pencil Post Canopy Frame

**ATTENTION**  Do Not Assemble with Power Tools

- 1) Attach both **B** pieces to the **A** pieces using the **4 - 1" screws**. Make sure to the finials have been removed from the tops of the bed posts before continuing.



- 2) With one person lifting up on each side, place the assembled **A and B** pieces on top of the bed posts. See *Figure 2*.
- 3) Place the **C** pieces on top of the **A** pieces, putting a finial through the holes into each bed post. See *Figure 2*. This completes the assembly.

