

ASSEMBLY INSTRUCTIONS

Lyndon 4-Drawer Under Bed Storage

Base Parts List		Hardware List	
Footboard (piece A)	(1)	1 1/4" Screws	(18)
Drawer Section (pieces B and C)	(2)	Metal L-bracket	(4)
Headboard Spacer (piece D)	(1)	3/4" Panhead Screws	(4)
		Nail Glides (1 extra)	(14)

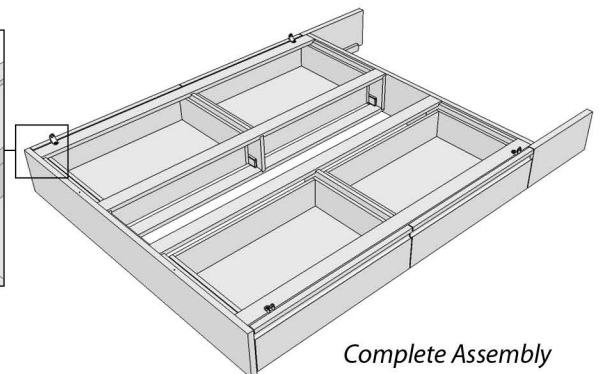
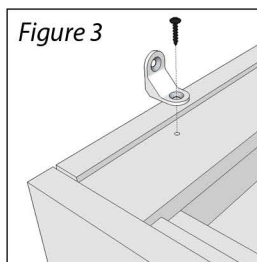
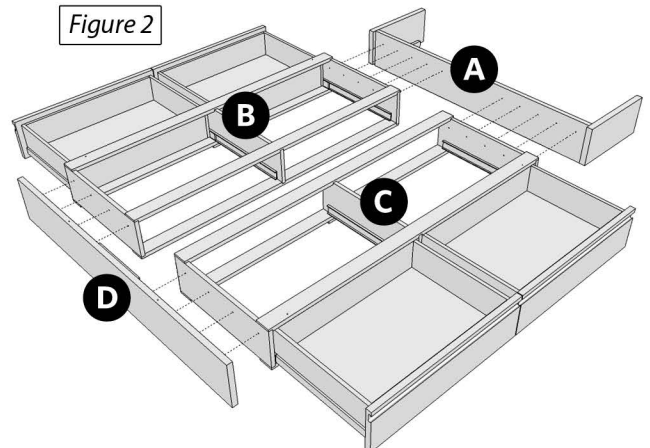
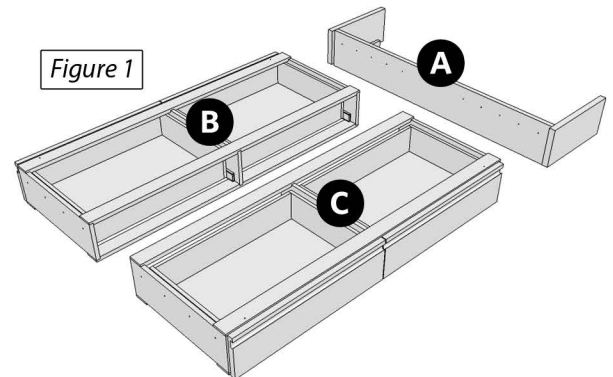
ATTENTION  Do Not Assemble with Power Tools

* Before you begin, remove the bedding, mattress, and bed slats from bed frame. *

- 1) Position piece **A** as shown in *Figure 1* and slide it towards the head of the bed.
- 2) Position pieces **B and C** as shown in *Figure 1* under each side of the bed.

Important: The end with the drawer front that is not flush with the end must be facing piece **A**.

- 3) Pull all drawers open all the way in pieces **B and C** and align the 5 holes in each end with the corresponding 5 pilot holes in piece **A**. Use **10 - 1 1/4" screws** to attach the pieces together. See *Figure 2*.
- 4) Set piece **D** on the other end of pieces **B and C** and align the 4 holes in each end with the corresponding 4 pilot holes in piece **D**. Use the remaining **8 - 1 1/4" screws** to attach the pieces together. See *Figure 2*.
- 5) Close all the drawers and adjust the alignment of the assembled storage unit under the bed.
- 6) Use the **4 - 3/4" screws** to attach the L-brackets to **B and C**. See *Figure 3*.
- 7) Put the bed slats, mattress, and bedding back on the bed frame.



Troubleshooting

Q. Are the slats supposed to rest on the top of the under-bed storage?

A. The slats should not rest on the storage. We recommend adding a 3-leg center support and securing the slats to it.

Q. How do I keep the drawers from dragging on the carpet?

A. Nail glides are included with the hardware for this bed. Attach the nail glides to the bottom of the bed and the bottom of the under-bed storage to add 1/2" of height. Normally, this is enough to stop drawers from dragging on carpets.