



BROOKLINE BED ASSEMBLY

Base Part Location and Verification

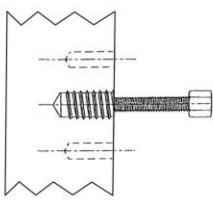
Location	Quantity	Description	QC Check
Bed Box	1	Headboard Assembly	
Bed Box	1	Short Footboard	
Bed Box	1	Long Footboard	
Bed Box	2	Inner Corner Support	
Bed Box	1	Bedding Support	
Rail Box	2	Base Rail	
Rail Box	2	Frame Rail	
Rail Box	1	Bedding Support	

Hardware List and Verification

Quantity	Description	QC Check
2	Bed Hardware	
16	Wood Dowels	
24	1 5/8" Screws	
Center Support for King / California-King only		

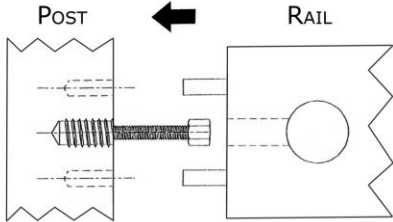
ASSEMBLY INSTRUCTIONS:

- 1) **BASE FRAME ASSEMBLY:** ATTACH SINGLE-HOLE BASE RAILS TO BOTTOM BOARD OF HEADBOARD AND SHORT LENGTH FOOTBOARD. MAKE SURE THE MACHINED HOLES FACE INSIDE.
- 2) FOLLOW THE STEPS BELOW TO ATTACH THE RAILS.



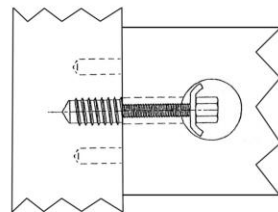
STEP 1

SCREW THE THREADED STUD INTO THE INSERT UNTIL IT STOPS. PUT THE NUT 3 TO 6 TURNS ONTO THE OF THE THREADED STUD.



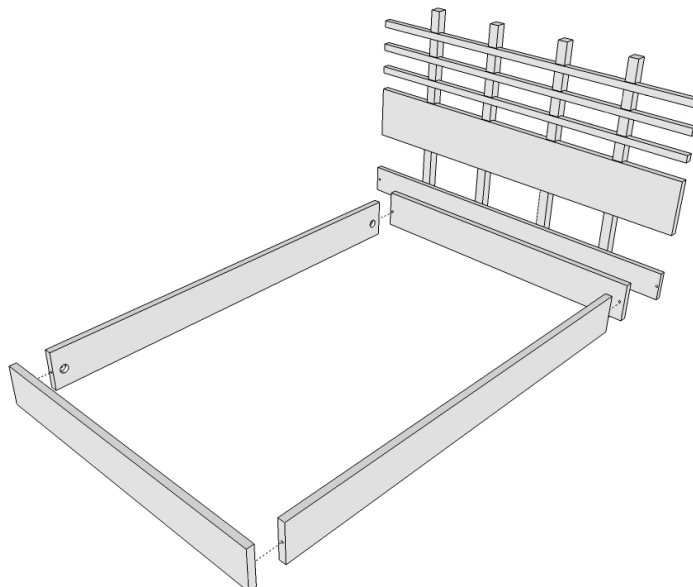
STEP 2

INSTALL DOWELS INTO RAIL. SLIDE THE RAIL OVER THE NUT AND INTO MATING HOLES FOR DOWELS ON THE BED POST.



STEP 3

SLIDE THE CURVED WASHER IN PLACE AS SHOWN AND TIGHTEN THE NUT WITH THE WRENCH PROVIDED.



- 3) **RAIL FRAME ASSEMBLY:** ATTACH SINGLE-HOLE FRAME RAILS TO LONG LENGTH **FOOTBOARD ONLY**. MAKE SURE THE MACHINED **HOLES FACE INSIDE**.
- 4) FOLLOW THE **STEPS BELOW** TO ATTACH THE RAILS.

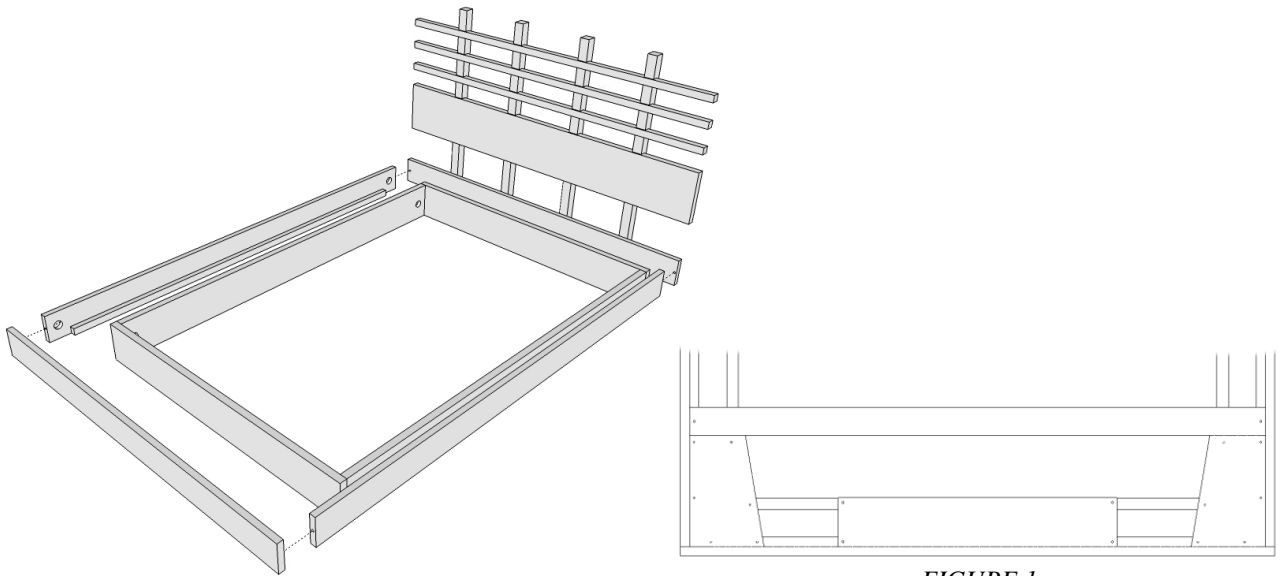
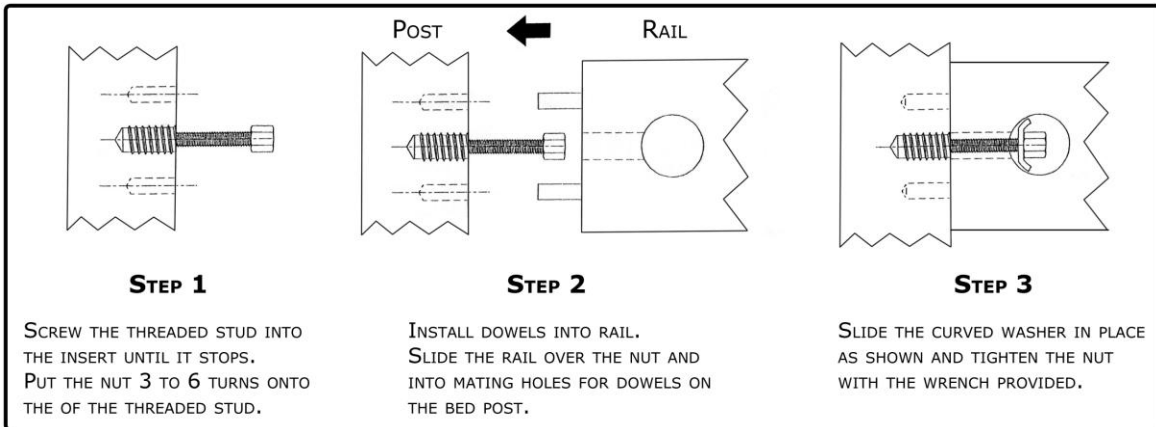
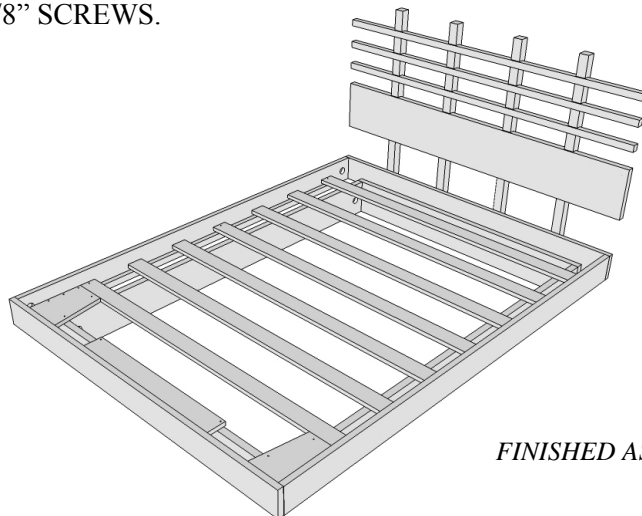


FIGURE 1

- 5) **RAIL FRAME ASSEMBLY:** ATTACH THE TWO INNER CORNER AND ONE BEDDING SUPPORTS. ALIGN THE SUPPORTS THE SAME AS IN *FIGURE 1*. USE 10 – 1 5/8” SCREWS AND THE PILOT HOLES TO ATTACH.
- 6) ATTACH THE RAIL FRAME ASSEMBLY TO THE TOP BOARD OF HEADBOARD.
- 7) FINISH SCREWING THE SUPPORTS INTO PLACE WITH 6 – 1 5/8” SCREWS.
- 8) SPACE OUT SLATS EVENLY. SECURE THE FIRST, LAST, AND MIDDLE SLATS USING 6 – 1 5/8” SCREWS.



FINISHED ASSEMBLY

ASSEMBLY INSTRUCTIONS

Center Support

Base Parts List		Hardware List	
Support Rail	(1)	1 3/4" Long Screws	(6)
Leg Block	(3)	1 1/2" Short Screws	(2)

ATTENTION  Do Not Assemble with Power Tools

- 1) Use the **6 – 1 3/4" Long Screws** to attach the three Leg Blocks to the Support Rail. (Figure 1)
- 2) Center the support assembly under the bed slats. Make sure that the leg closest to the end of the support assembly is on the headboard end of the bed. (Figure 2)
- 3) Use the **2 – 1 1/2" Short Screws** to attach two of the bed slats to both ends of the Support Rail. (Figure 2)

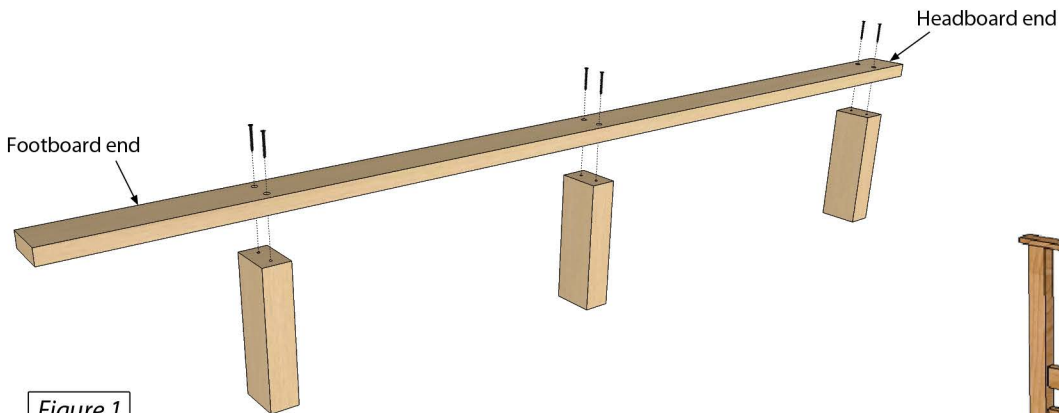


Figure 1

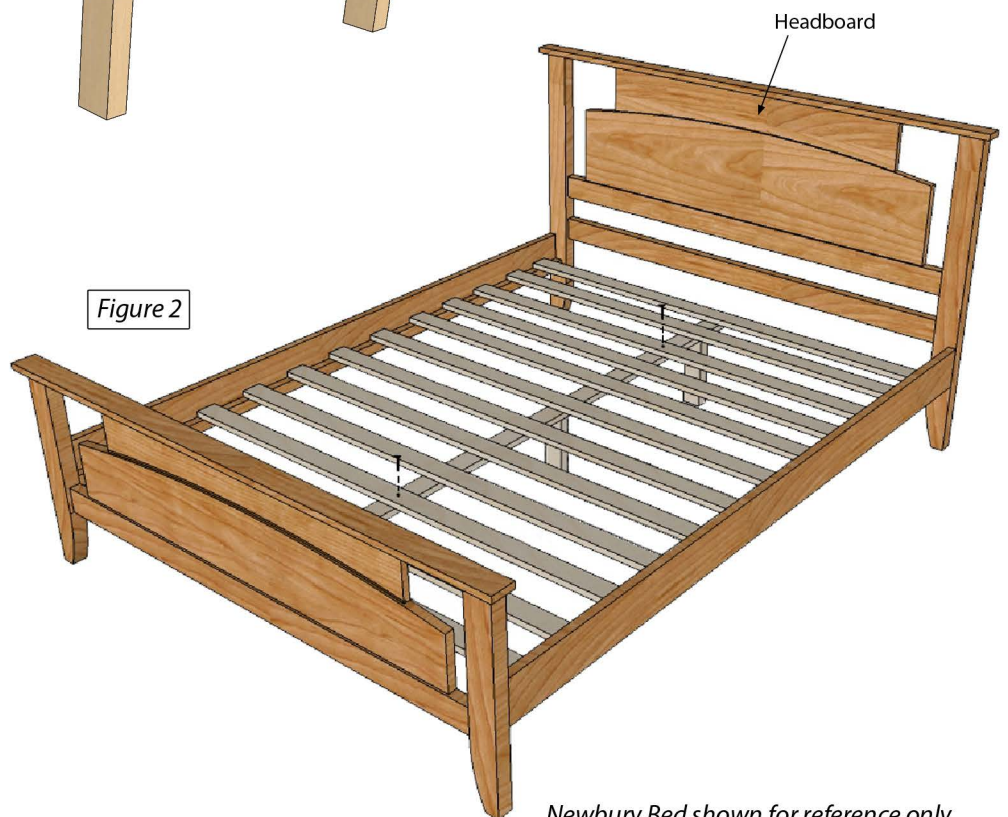


Figure 2

Newbury Bed shown for reference only