



## BRATTLEBORO BED ASSEMBLY

### Base Part Location and Verification

Location	Quantity	Description	QC Check
Bed Box	1	Headboard Assembly	
Bed Box	1	7 1/4" Base Footboard	
Bed Box	1	5" Footboard	
Bed Box	1	Support	
Bed Box	2	7 1/4" Base Rail	
Rail Box	2	5" Top Rail	

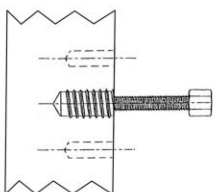
### Hardware List and Verification

Quantity	Description	QC Check
2	Bed Hardware	
16	Wood Dowels	
12	1 5/8" Screws	
<b>Center Support for King / California-King only</b>		

QUALITY CONTROL CHECK PERFORMED BY: \_\_\_\_\_

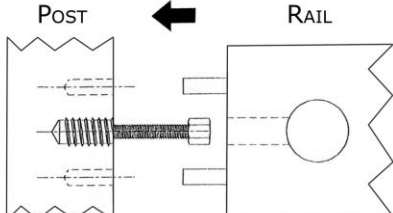
### ASSEMBLY INSTRUCTIONS:

- 1) **BASE ASSEMBLY:** ATTACH THE 7 1/4" BASE RAILS TO BOTTOM BOARD OF HEADBOARD AND 7 1/4" BASE FOOTBOARD. MAKE SURE THE MACHINED HOLES FACE INSIDE.
- 2) FOLLOW THE **STEPS BELOW** TO ATTACH THE RAILS.



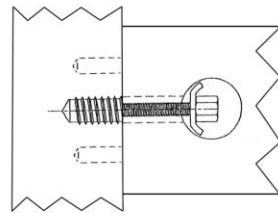
**STEP 1**

SCREW THE THREADED STUD INTO THE INSERT UNTIL IT STOPS. PUT THE NUT 3 TO 6 TURNS ONTO THE OF THE THREADED STUD.



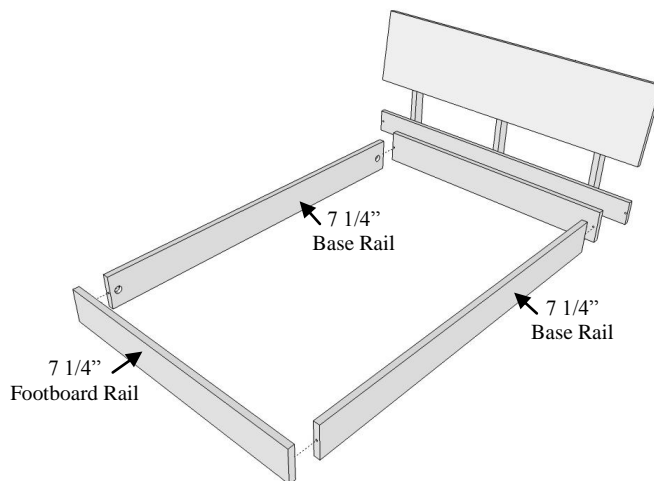
**STEP 2**

INSTALL DOWELS INTO RAIL. SLIDE THE RAIL OVER THE NUT AND INTO MATING HOLES FOR DOWELS ON THE BED POST.

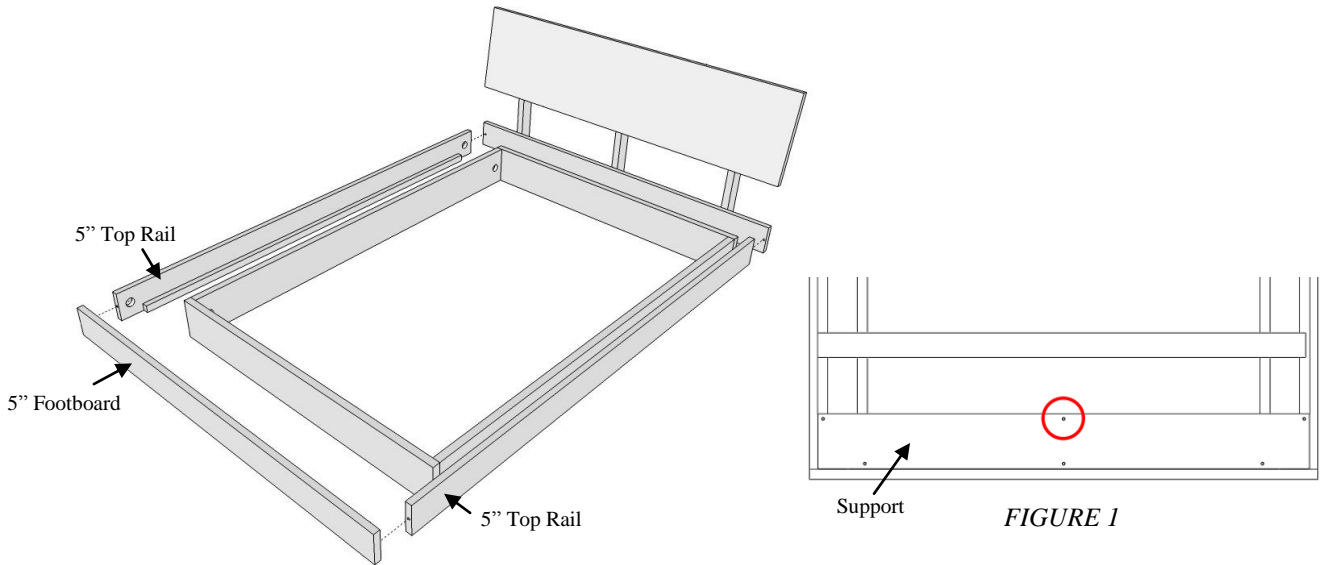
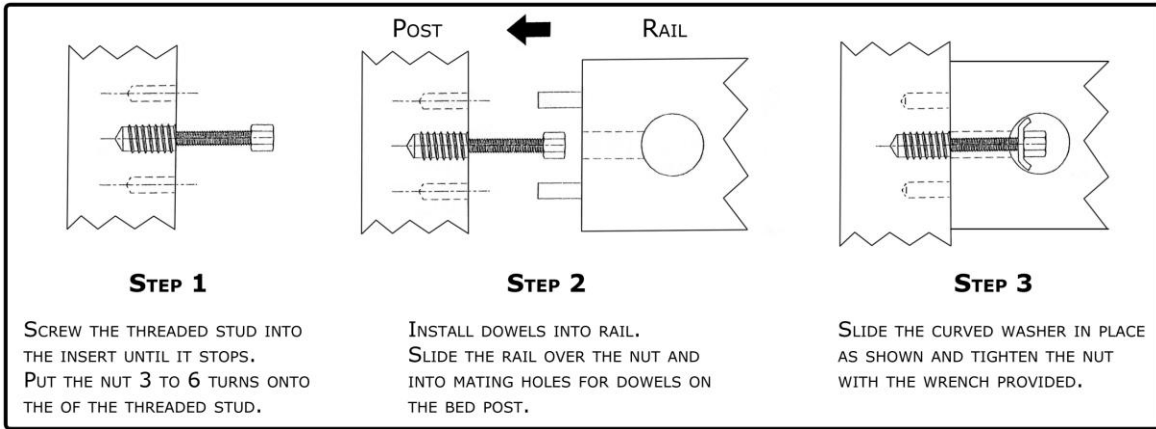


**STEP 3**

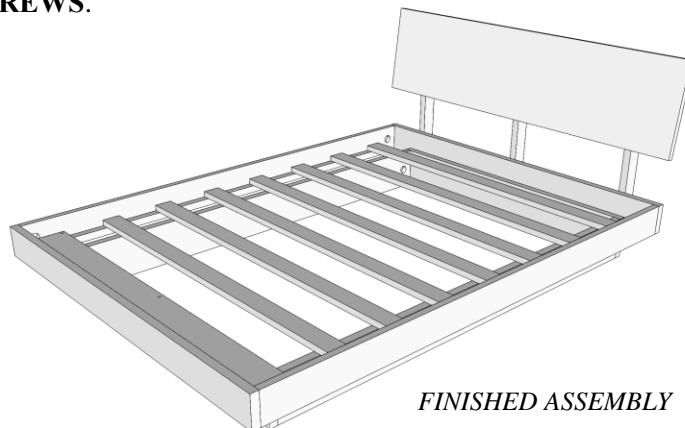
SLIDE THE CURVED WASHER IN PLACE AS SHOWN AND TIGHTEN THE NUT WITH THE WRENCH PROVIDED.



- 3) **TOP RAIL ASSEMBLY:** ATTACH 5" TOP RAILS TO 5" FOOTBOARD. MAKE SURE THE MACHINED HOLES FACE INSIDE.
- 4) FOLLOW THE STEPS BELOW TO ATTACH THE RAILS.



- 5) **TOP RAIL ASSEMBLY:** ALIGN PILOT HOLES AND ATTACH THE SUPPORT, SEEN IN *FIGURE 1*. USE 5 – 1 5/8" SCREWS TO ATTACH. **CIRCLED HOLE FOR STEP #7 ONLY.**
- 6) ATTACH THE TOP RAIL ASSEMBLY TO THE TOP BOARD OF HEADBOARD.
- 7) USING THE CIRCLED HOLE IN *FIGURE 1*, FINISH SCREWING THE SUPPORT INTO PLACE WITH 1 – 1 5/8" SCREW.
- 8) SPACE OUT SLATS EVENLY. SECURE THE FIRST, LAST, AND MIDDLE SLATS USING 6 – 1 5/8" SCREWS.





## CENTER SUPPORT ASSEMBLY

### Base Part Location and Verification

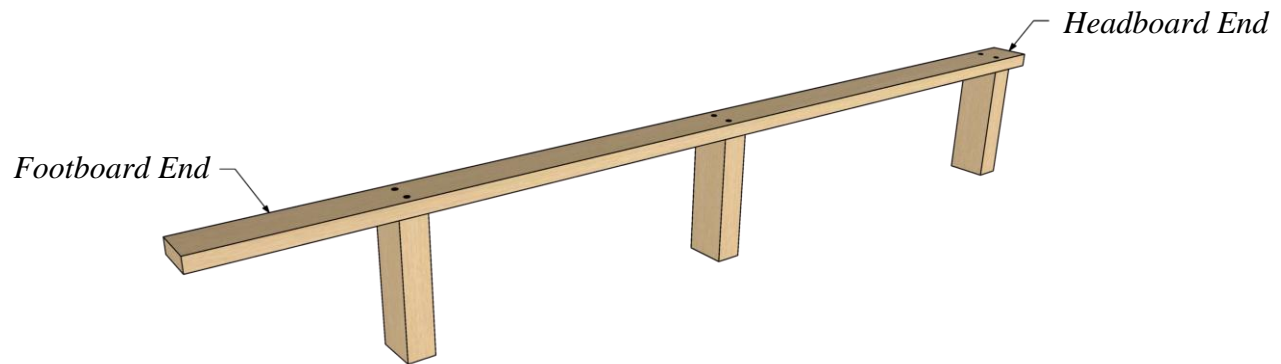
Location	Quantity	Description	QC Check
Rail Box	1	Assembled Support	

### Base Part Location and Verification

Quantity	Description	QC Check
2	1 1/2" Screws	

### ASSEMBLY INSTRUCTIONS:

- 1) CENTER THE SUPPORT ASSEMBLY UNDER THE BED SLATS.
- 2) USE THE 2 – 1 1/2" SCREWS TO ATTACH TWO SLATS TO EACH END OF THE SUPPORT.



*Newbury bed shown for Center Support reference only*